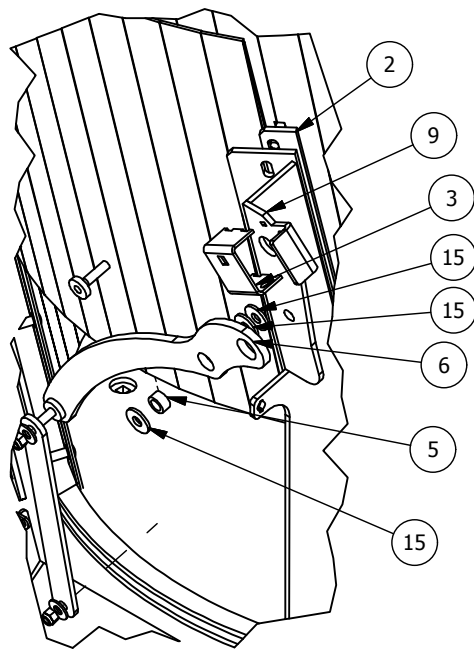
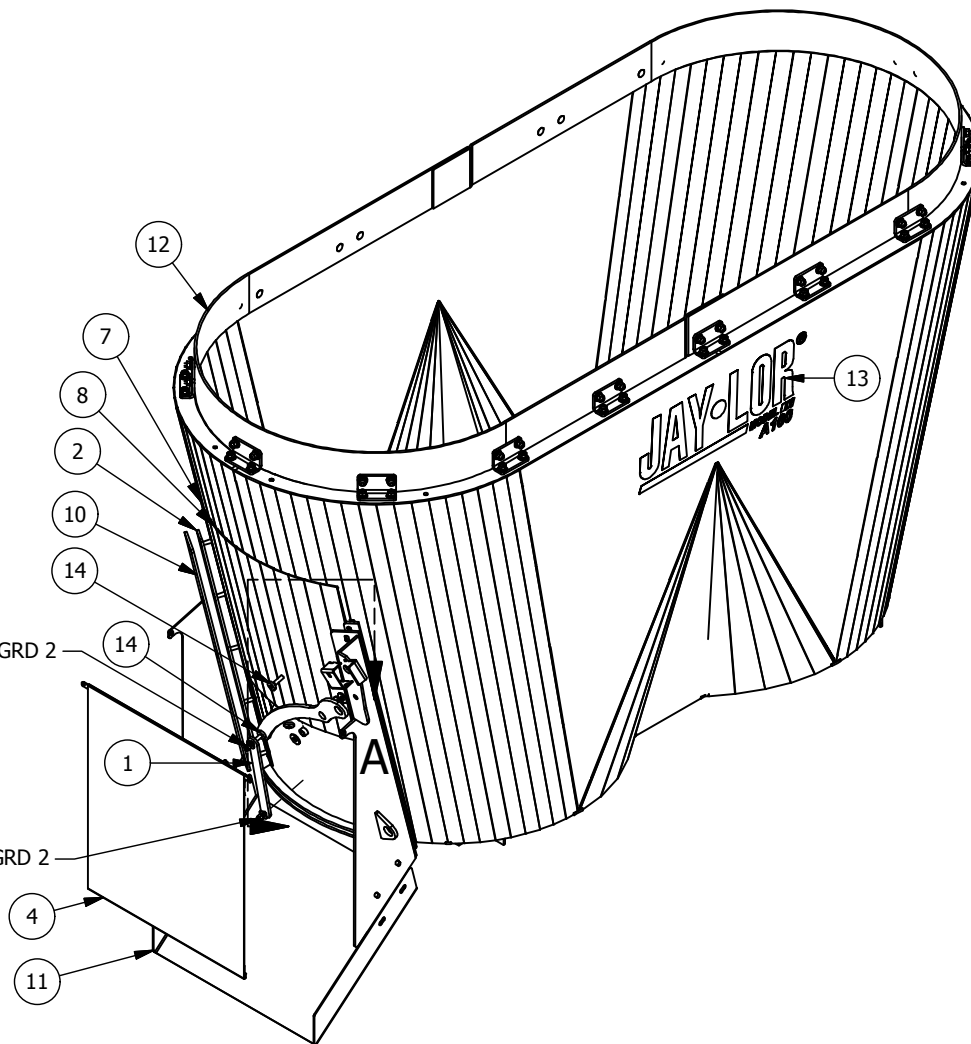


Parts List

ITEM	PART NUMBER	TITLE	QTY
1	AAA-001-00997	MINI DOOR LINKAGE 1/4T	1
2	AAA-001-01005	MINI DOOR SPCR 1/4T	2
3	AAA-001-01086	MINI DOOR SWITCH BRKT 1/8T	1
4	AAA-001-01129	MINI LARGE DOOR DISCHARGE SHIELD KIT	1
5	AAA-001-01184	PIPE SIZE 1/2 SCH 80 X 7/16L	1
6	AAA-001-01187	MINI HYD DOOR ARM WELDMENT RTH DISCHARGE	1
7	AAA-001-01224	DRUM WELDMNT A100 REAR CTR HYD DISCHARGE	1
8	AAA-001-01228	A100 DRUM REAR DOOR WELDMNT	1
9	AAA-001-01231	A100 TM RTH OUTER DOOR TRACK WELDMNT	1
10	AAA-001-01235	A100 TM LTH OUTER DOOR TRACK WELDMNT	2
11	AAA-001-01237	MINI DISCHARGE CHUTE 19-1/2L/ 1/8T	1
12	AAA-001-01244	KIT A100 5" DRUM EXT. UV STABILIZED HDPE BLACK	1
13	AAB-012-00098	DECAL A100 WHITE AND BLACK	2
14	AAB-015-30032	WASHER BLACK NYLON 3/8ID X 1OD X 1/4T	2
15	AAB-015-30034	WASHER NYLON 1/2ID X 1-1/4OD X 1/8T	3



DETAIL A



NUT HEX 3/8 LOCK NYLON GRD 2

NUT HEX 3/8 LOCK NYLON GRD 2

DR GM

DAT 9/7/2012

MAT

TOLERANCES (UNLESS SPECIFIED OTHERWISE)  
 FRACTIONAL ± 1/16"  
 DEC X.X ± 0.1"  
 DEC X.XX ± 0.06"  
 DEC X.XXX ± 0.031"  
 ANGULAR ± 0.5°

**JAY-LOR**  
 Fabricating Inc

UNITS PAPER A SHEET 1 OF 1 R# DATE DESCRIPTION DR CK

TITLE A100 REAR CTR HYD DISCHARGE DRUM PARTS

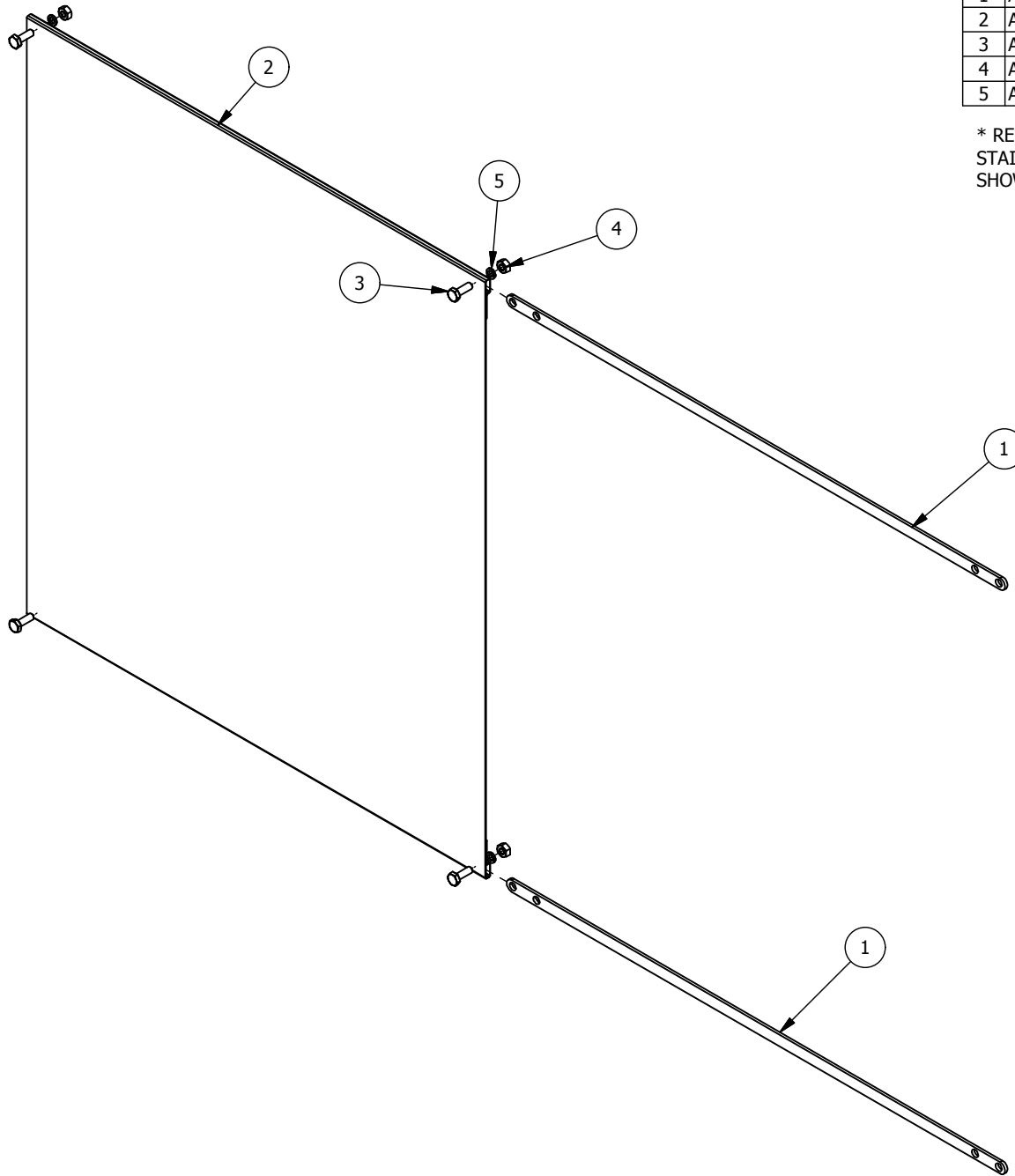
FILE NO AAA-054-00115.idw

CONFIDENTIAL: THESE DRAWINGS AND COPIES THEREOF REMAIN THE PROPERTY OF JAY-LOR FABRICATING INC. ANY PERSON FOUND UNLAWFULLY USING, DISTRIBUTING, OR IN POSSESSION OF THE ABOVE WILL BE PROSECUTED

Parts List

ITE	PART NUMBER	TITLE	QTY
1	AAA-001-01087*	MINI TARP SHIELD SUPT BAR 1/8T	2
2	AAB-001-00034	MINI TARP DISHCARGE SHIELD 23W X 26H X 40OZ	1
3	AAB-015-10089*	BOLT HEX 1/4 X 3/4 UNC GRD 5	4
4	AAB-015-20036*	NUT HEX 1/4 UNC GRD 5	4
5	AAB-015-30025*	WSHR LOCK 1/4	4

\* REFERS TO PARTS THAT ARE ALSO AVAILABLE WITH BASE MATERIAL BEING STAINLESS STEEL. TO ORDER STAINLESS STEEL PARTS, USE PART NUMBERS SHOWN FOLLOWED BY ' SS'. EXAMPLE: AAA-001-01087 SS

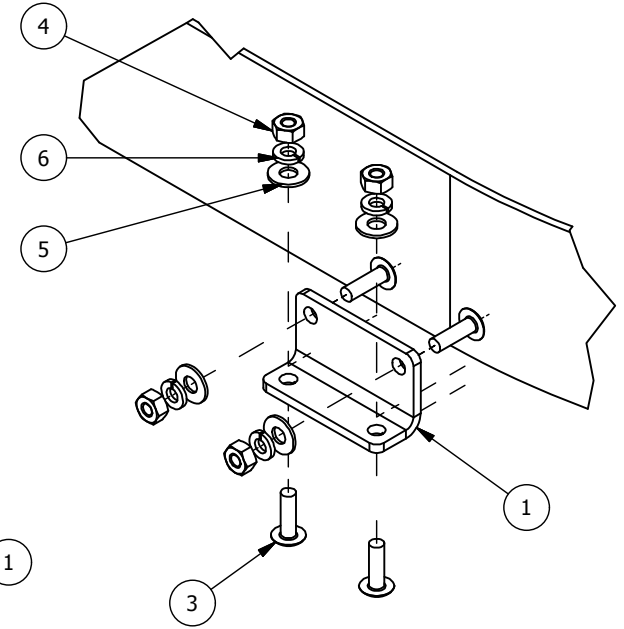
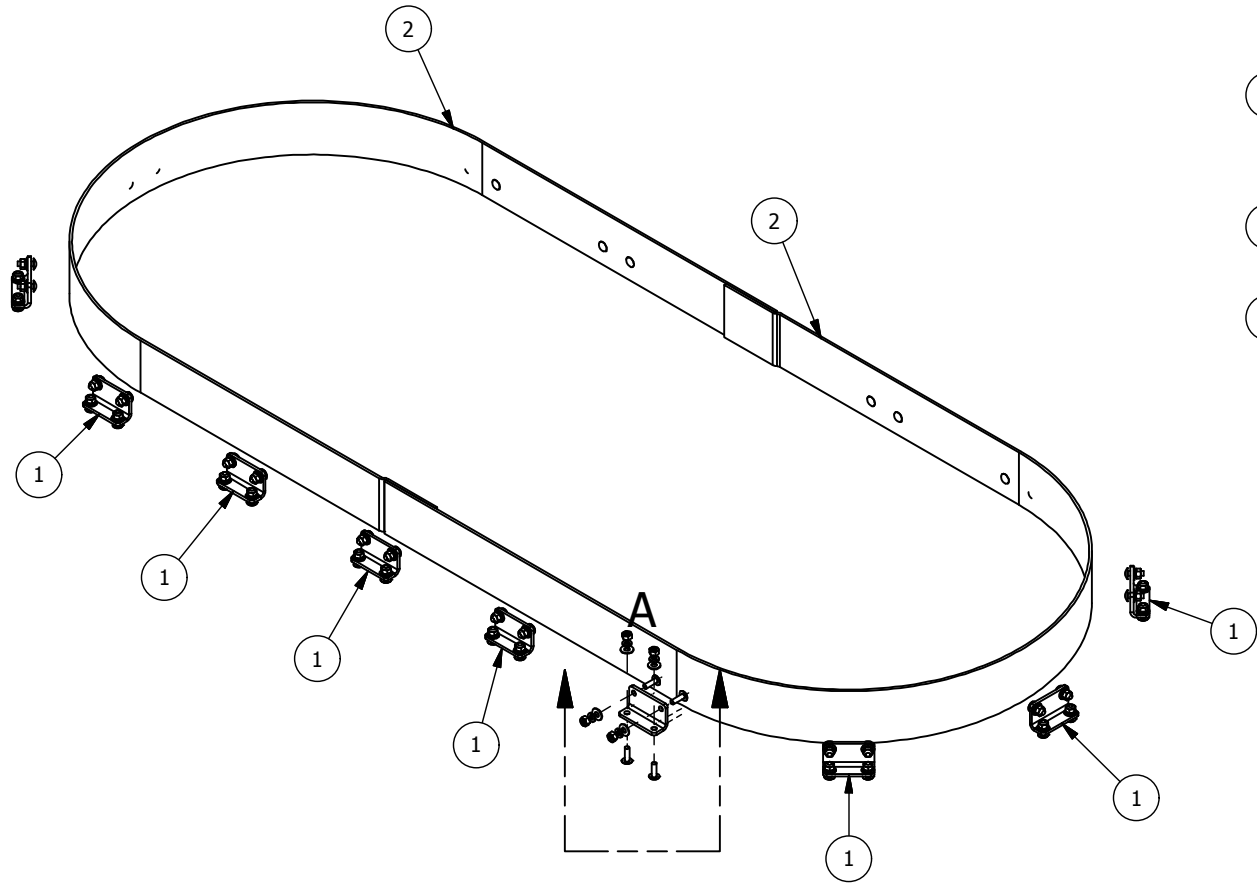


DR	GM	TOLERANCES (UNLESS SPECIFIED OTHERWISE) FRACTIONAL ± 1/16" DEC X.X ± 0.1" DEC X.XX ± 0.06" DEC X.XXX ± 0.031" ANGULAR ± 0.5°	<b>JAY•LOR</b> Fabricating Inc
DAT	11/8/2011		
MAT			

UNITS	PAPER A	SHEET 1 OF 1	R#	DATE	DESCRIPTION	DR	CK
TITLE MINI LARGE DOOR DISCHARGE SHIELD KIT						FILE NO AAA-001-01129.idw	

CONFIDENTIAL: THESE DRAWINGS AND COPIES THEREOF REMAIN THE PROPERTY OF JAY-LOR FABRICATING INC. ANY PERSON FOUND UNLAWFULLY USING, DISTRIBUTING, OR IN POSSESSION OF THE ABOVE WILL BE PROSECUTED

Parts List			
ITEM	PART NUMBER	TITLE	QTY
1	AAA-001-01162	A100 HDPE DRUM EXT BRKT 1/4T	16
2	AAB-001-00035	HDPE EXT BLACK/ UV STABILIZED/ 5H X 0.22T X 124L	2
3	AAB-015-10060	BOLT CARRIAGE 3/8 X 1-1/4 UNC GRD 2	64
4	AAB-015-20017	NUT HEX 3/8 UNC GRD 2	64
5	AAB-015-30012	WSHR FLAT 3/8 USS	64
6	AAB-015-30017	WSHR LOCK 3/8	64

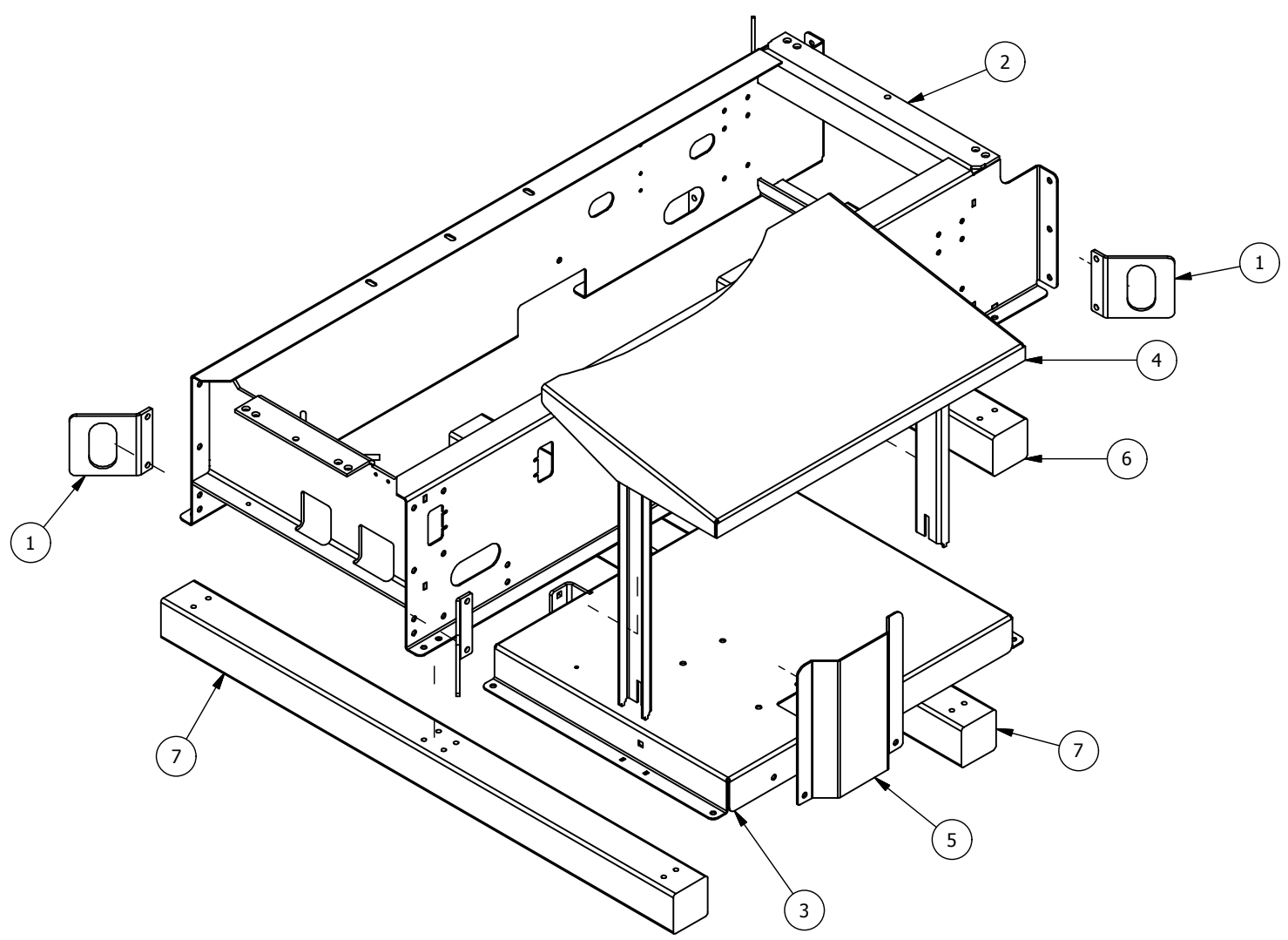


DETAIL A

UNITS	PAPER A	SHEET 1 OF 1	R#	DATE	DESCRIPTION	DR	CK
TITLE					FILE NO		
KIT A100 5" DRUM EXT. UV STABILIZED HDPE BLACK					AAA-001-01244.idw		

DR DENwright	TOLERANCES (UNLESS SPECIFIED OTHERWISE) FRACTIONAL ± 1/16" DEC X.X ± 0.1" DEC X.XX ± 0.06" DEC X.XXX ± 0.031" ANGULAR ± 0.5°	<b>JAY•LOR</b> Fabricating Inc
DAT 10/11/2012		
MAT		
CONFIDENTIAL: THESE DRAWINGS AND COPIES THEREOF REMAIN THE PROPERTY OF JAY-LOR FABRICATING INC. ANY PERSON FOUND UNLAWFULLY USING, DISTRIBUTING, OR IN POSSESSION OF THE ABOVE WILL BE PROSECUTED		

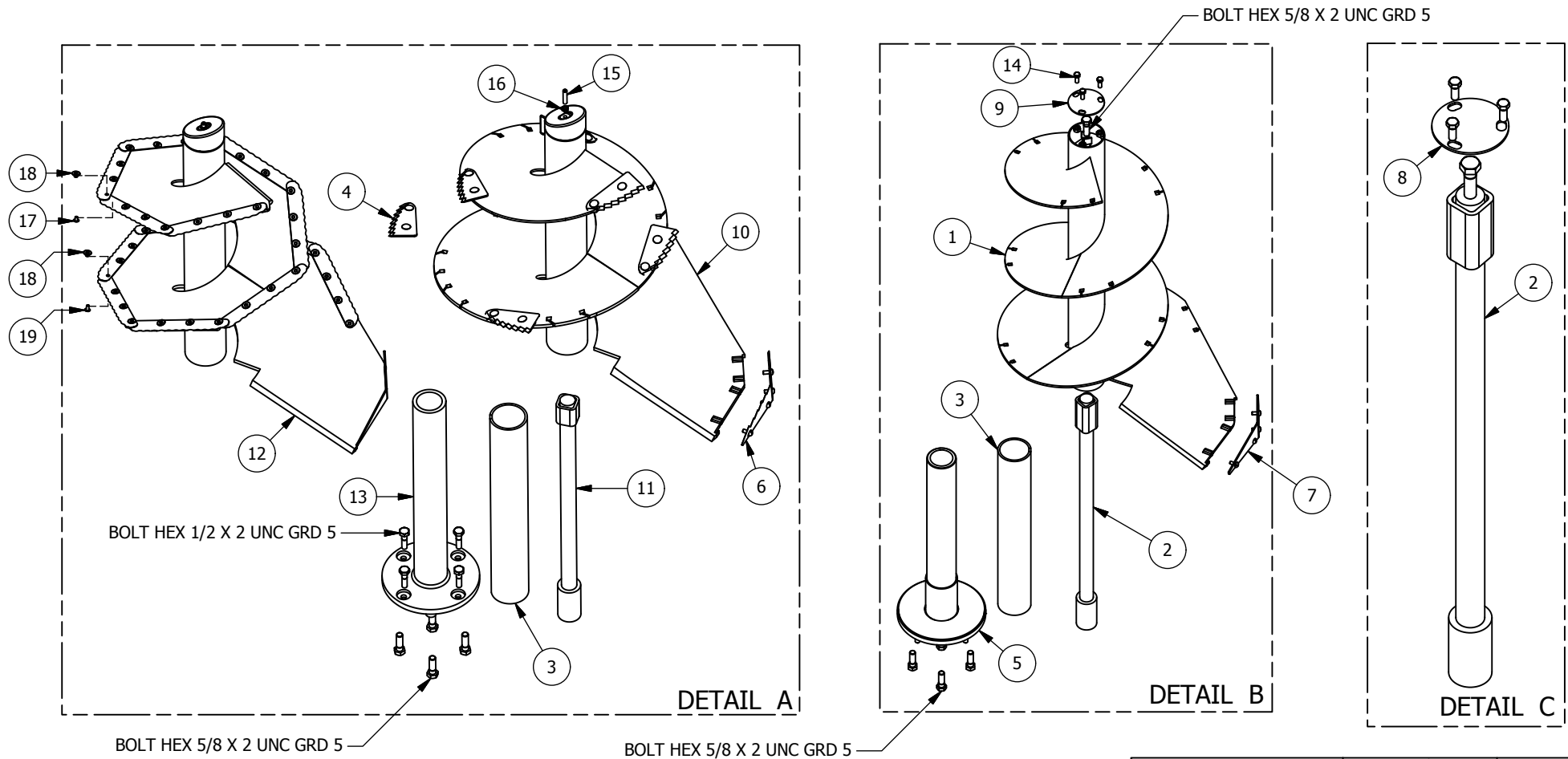
Parts List			
ITEM	PART NUMBER	TITLE	QTY
1	AAA-002-00675	MINI TM REAR TIE DOWN 1/4T	4
2	AAA-002-00905	A100 STATIONARY/TRAILER/TM UNDERFRAME WELDMNT	1
3	AAA-002-00931	A100 TM POWER SUPPLY PLATFORM WELDMNT	1
4	AAA-002-00933	A100 TM POWER SUPPLY COVER WELDMNT	1
5	AAA-007-00135	MINI ENGINE WIRING SHIELD 1/8T	1
6	AAB-017-30037_28L	BOARD SOFTWOOD TREATED 4IN X 4IN X 28IN	1
7	AAB-017-30037_52L	BOARD SOFTWOOD TREATED 4IN X 4IN X 48IN	2



UNITS	PAPER A	SHEET 1 OF 1	R#	DATE	DESCRIPTION	DR	CK	DR GM	TOLERANCES (UNLESS SPECIFIED OTHERWISE)	<b>JAY•LOR</b> <i>Fabricating Inc</i>
TITLE	A100 TRUCK MOUNTED FRAME PARTS					FILE NO	AAA-054-00116.idw	9/10/2012	FRACTIONAL ± 1/16" DEC X.X ± 0.1" DEC X.XX ± 0.06" DEC X.XXX ± 0.031" ANGULAR ± 0.5°	
								MAT	CONFIDENTIAL: THESE DRAWINGS AND COPIES THEREOF REMAIN THE PROPERTY OF JAY-LOR FABRICATING INC. ANY PERSON FOUND UNLAWFULLY USING, DISTRIBUTING, OR IN POSSESSION OF THE ABOVE WILL BE PROSECUTED	

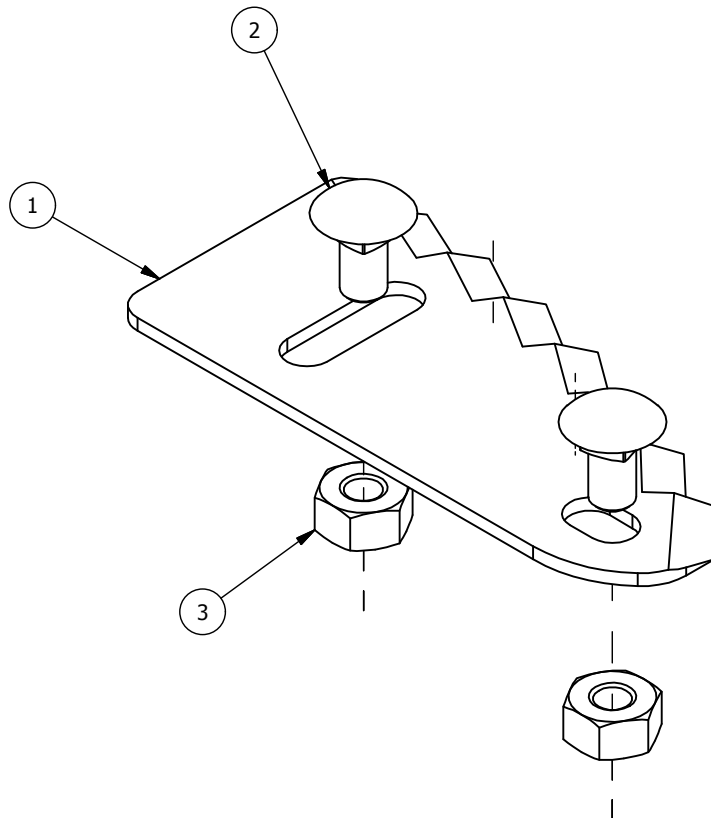
Parts List				Parts List			
ITEM	PART NUMBER	TITLE	QTY	ITEM	PART NUMBER	TITLE	QTY
1	AAA-005-00130 SS	MINI AUGER SS WELDMENT	1	11	AAA-005-00312	MINI AUGER V2 DRIVE SHAFT WELDMENT	1
2	AAA-005-00140	MINI AUGER DRIVE SHAFT WELDMENT	2	12	AAA-005-00319	MINI SQ AUGER WELDMENT	1
3	AAA-005-00143	PVC PIPE SIZE 3IN SCH 40 X 23L	2	13	AAB-005-00115	MINI CAST AUGER SUPT BEARING	1
4	AAA-005-00183	MINI FLAT KNIFE KIT	8	14	AAB-015-10056 SS	BOLT HEX SS 3/8-16 X 1 GRD 5	3
5	AAA-005-00204	MINI AUGER SUPT WELDMENT W/ SS BOTTOM COVER	1	15	AAB-015-10154	SET SCREW SS 3/8-16 X 1-3/4L GRD 8	2
6	AAA-005-00223	MINI ANGLING BLADE KNIFE KIT	1	16	AAB-015-20045	NUT HEX JAM SS 3/8-16 GRD 8	2
7	AAA-005-00252	MINI ANGLING BLADE SS KIT	1	17	AAB-015-10164	SCREW TRUSS HEAD PHILLIPS 1/4-20 X 3/8L	20
8	AAA-005-00276	MINI AUGER CAP WELDMENT	1	18	AAB-015-20050	WELD NUT ROUND BASE 1/4-20 X 5/16L BARREL	40
9	AAA-005-00277	MINI AUGER CAP SS WELDMENT	1	19	AAB-015-10177	SCREW TRUSS HEAD PHILLIPS 1/4-20 X 1/2L	20
10	AAA-005-00310	MINI AUGER V2 WELDMENT	1				

NOTE: 'DETAIL A' SHOWS THE STANDARD ROUND V2 AUGER AND OPTIONAL SQUARE AUGER ALONG WITH CORRESPONDING SHARED PARTS. 'DETAIL B' SHOWS THE STAINLESS STEEL AUGER AND CORRESPONDING PARTS. 'DETAIL C' SHOWS ORIGINAL STANDARD AUGER REPLACEMENT PARTS (USES SAME KNIVES AS V2).



UNITS	PAPER A	SHEET 1 OF 1	R#	DATE	DESCRIPTION	DR	CK	DR GM	DATE	TOLERANCES (UNLESS SPECIFIED OTHERWISE)	
TITLE	MINI STANDARD/SQUARE/STAINLESS STEEL AUGER PARTS					FILE NO	AAA-054-00034.idw	2/2/2011	FRACTIONAL ± 1/16"	DEC X.X ± 0.1"	
								MAT	DEC X.XX ± 0.06"	DEC X.XXX ± 0.031"	
<small>CONFIDENTIAL: THESE DRAWINGS AND COPIES THEREOF REMAIN THE PROPERTY OF JAY-LOR FABRICATING INC. ANY PERSON FOUND UNLAWFULLY USING, DISTRIBUTING, OR IN POSSESSION OF THE ABOVE WILL BE PROSECUTED</small>											

Parts List			
ITE	PART NUMBER	TITLE	QTY
1	AAB-005-00034	MINI FLAT KNIFE 1/8T	1
2	AAB-015-10147	BOLT CARRIAGE 3/8-16 X 3/4 GRD 5	2
3	AAB-015-20017	NUT HEX 3/8 UNC GRD 2	2

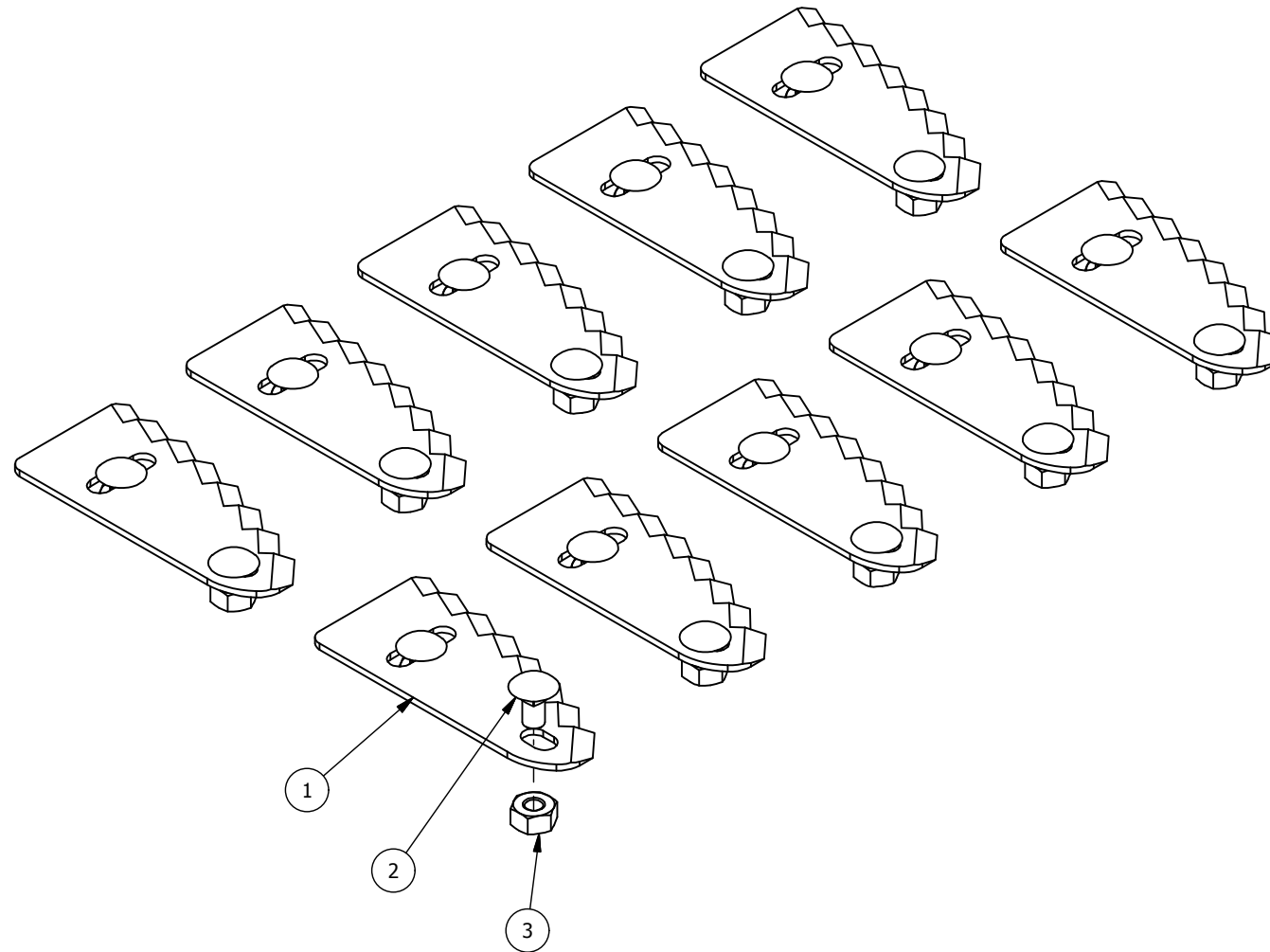


DR	GM	TOLERANCES (UNLESS SPECIFIED OTHERWISE) FRACTIONAL ± 1/16" DEC X.X ± 0.1" DEC X.XX ± 0.06" DEC X.XXX ± 0.031" ANGULAR ± 0.5°	<b>JAY•LOR</b> Fabricating Inc
DATE	4/12/2011		
MAT			
CONFIDENTIAL: THESE DRAWINGS AND COPIES THEREOF REMAIN THE PROPERTY OF JAY-LOR FABRICATING INC. ANY PERSON FOUND UNLAWFULLY USING, DISTRIBUTING, OR IN POSSESSION OF THE ABOVE WILL BE PROSECUTED			

UNITS	PAPER A	SHEET 1 OF 1	R#	DATE	DESCRIPTION	DR	CK
TITLE					FILE NO		
MINI FLAT KNIFE KIT					AAA-005-00183.idw		

Parts List

ITE	PART NUMBER	TITLE	QTY
1	AAB-005-00034	MINI FLAT KNIFE 1/8T	10
2	AAB-015-10147	BOLT CARRIAGE 3/8-16 X 3/4 GRD 5	20
3	AAB-015-20017	NUT HEX 3/8 UNC GRD 2	20



DR GM

DAT 3/5/2012

MAT

TOLERANCES (UNLESS SPECIFIED OTHERWISE)  
 FRACTIONAL ± 1/16"  
 DEC X.X ± 0.1"  
 DEC X.XX ± 0.06"  
 DEC X.XXX ± 0.031"  
 ANGULAR ± 0.5°

**JAY•LOR**  
 Fabricating Inc

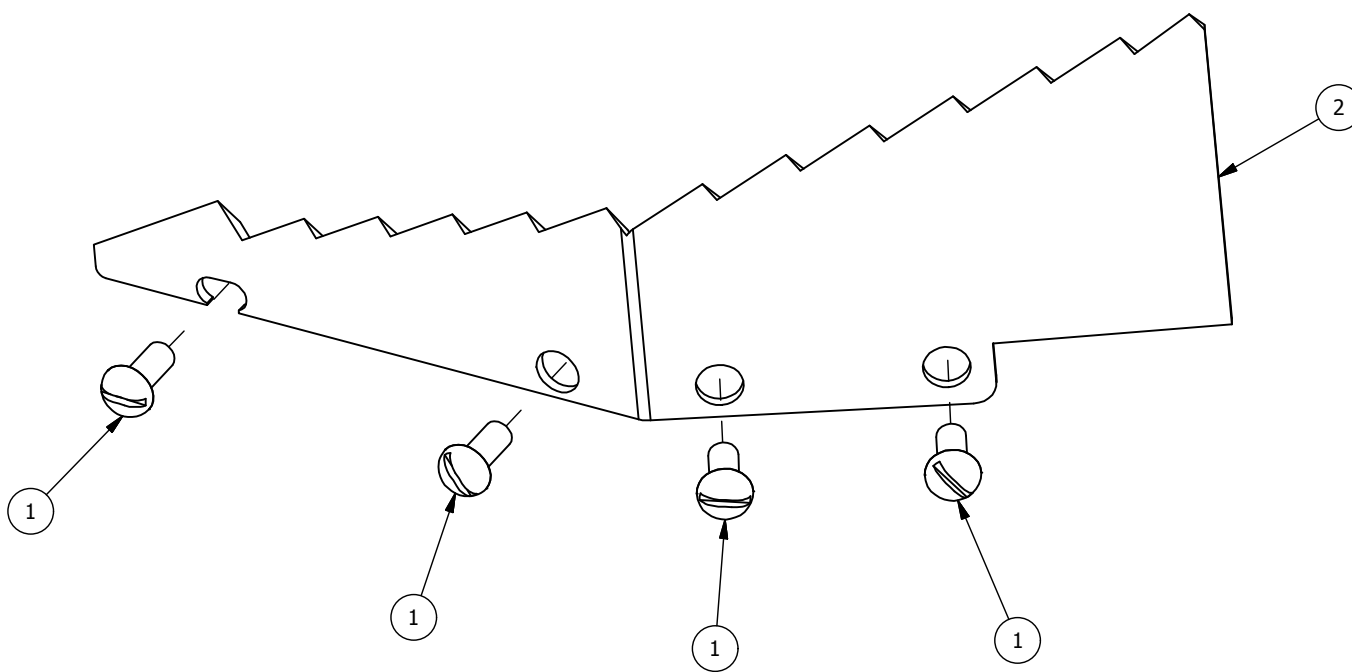
UNITS PAPER A SHEET 1 OF 1 R# DATE DESCRIPTION DR CK

TITLE MINI 10 FLAT KNIVES KIT

FILE NO AAA-005-00254.idw

CONFIDENTIAL: THESE DRAWINGS AND COPIES THEREOF REMAIN THE PROPERTY OF JAY-LOR FABRICATING INC. ANY PERSON FOUND UNLAWFULLY USING, DISTRIBUTING, OR IN POSSESSION OF THE ABOVE WILL BE PROSECUTED

Parts List			
ITE	PART NUMBER	TITLE	QTY
1	AAB-015-10107	SCREW MACHINE 5/16-18 X 3/4 S.S.	8
2	AAB-005-00041	MINI LONG ANGLING KNIFE 1/8T	2



UNITS	PAPER A	SHEET 1 OF 1	R#	DATE	DESCRIPTION	DR	CK
TITLE					FILE NO		

DR	GM	TOLERANCES (UNLESS SPECIFIED OTHERWISE) FRACTIONAL ± 1/16" DEC X.X ± 0.1" DEC X.XX ± 0.06" DEC X.XXX ± 0.031" ANGULAR ± 0.5°	<b>JAY•LOR</b> Fabricating Inc
DAT	9/28/2012		
MAT			
CONFIDENTIAL: THESE DRAWINGS AND COPIES THEREOF REMAIN THE PROPERTY OF JAY-LOR FABRICATING INC. ANY PERSON FOUND UNLAWFULLY USING, DISTRIBUTING, OR IN POSSESSION OF THE ABOVE WILL BE PROSECUTED			

TITLE MINI LONG ANGLING KNIFE KIT FILE NO AAA-005-00287.idw

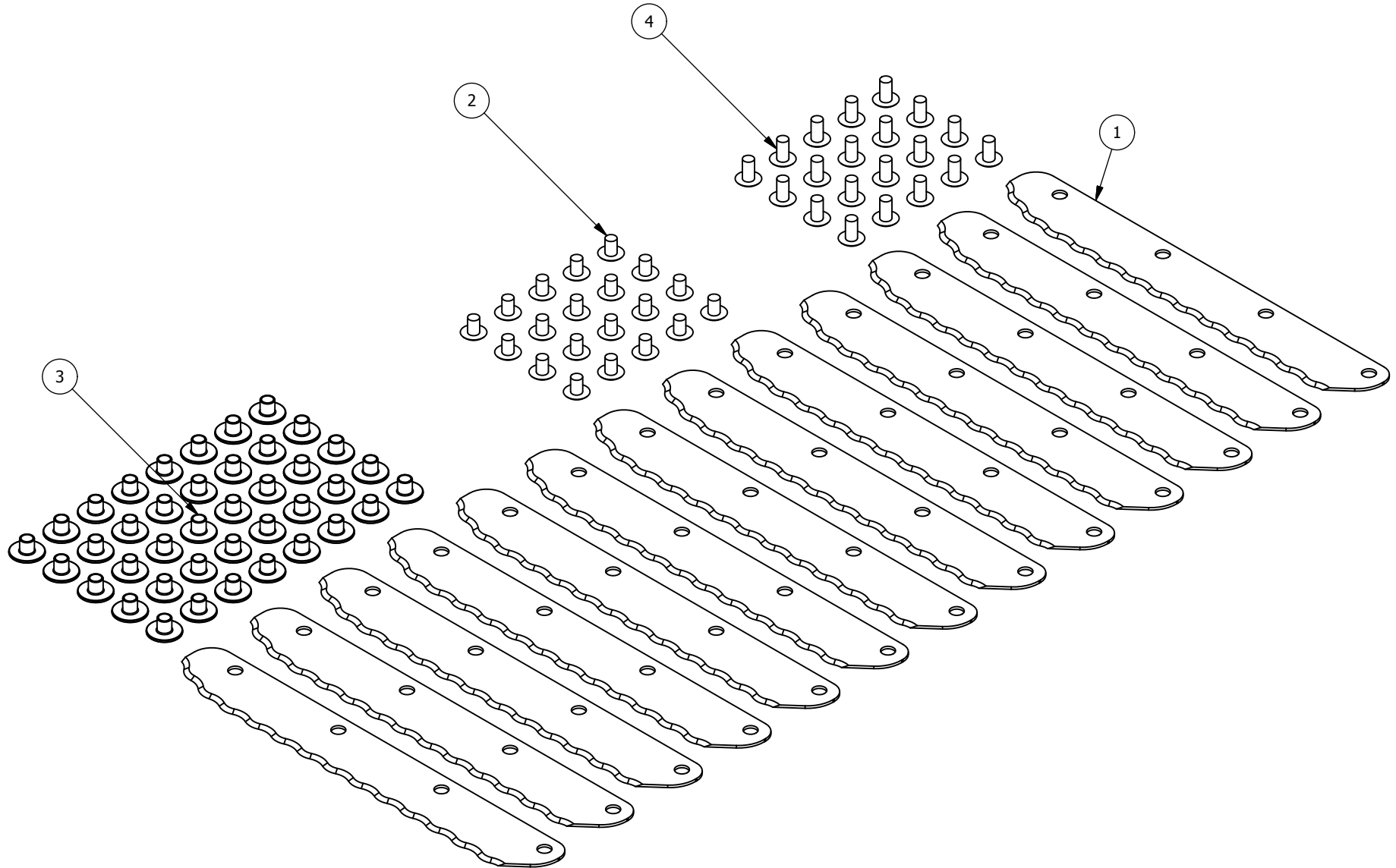
INFORMATION

-LONGER [1/2 INCH] BOLTS ARE TO BE USED ON THE LOWER, THICKER AUGER FLIGHT

-SHORTER [3/8 INCH] BOLTS ARE TO BE USED ON THE TOP, THINNER AUGER FLIGHT

-TO ORDER ALL PARTS AS 13-KNIFE KIT USE PART # AAA-005-00009

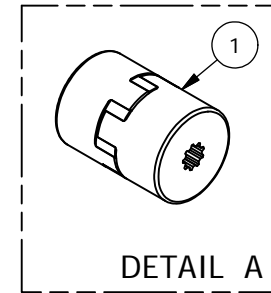
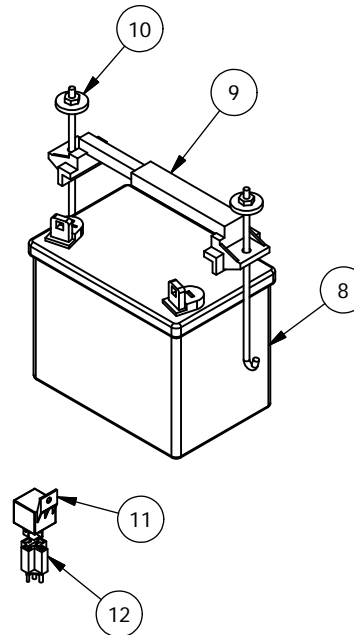
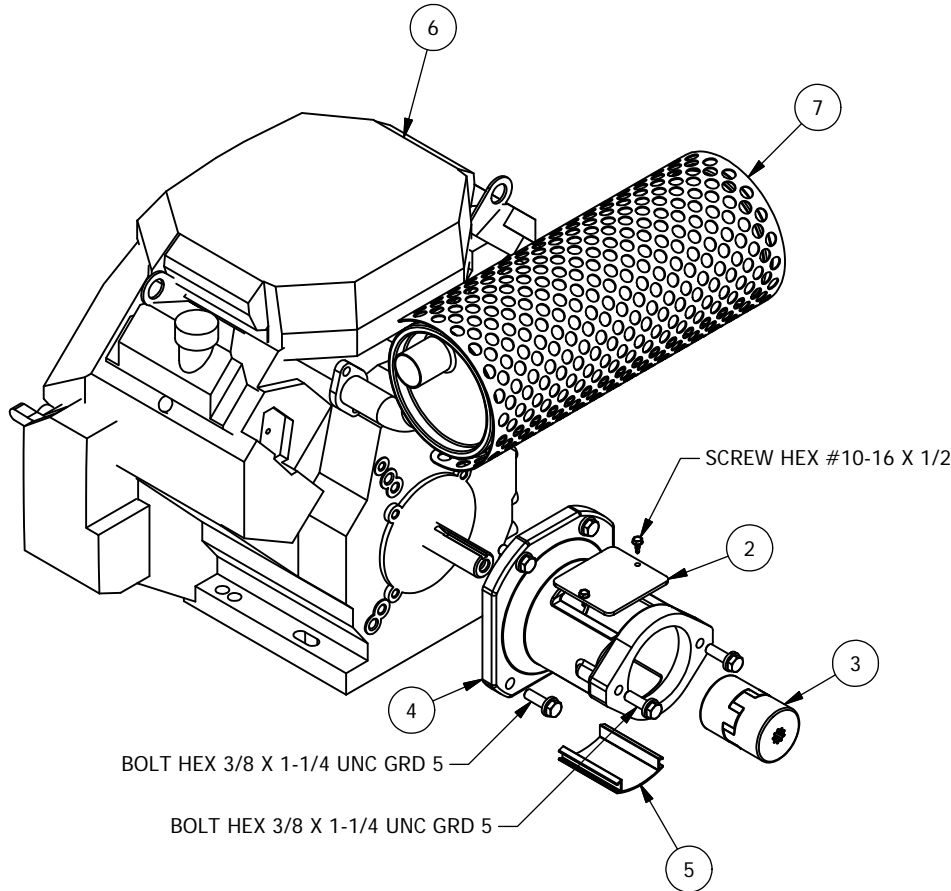
Parts List			
ITEM	PART NUMBER	TITLE	QTY
1	AAB-005-00042	WAVY BLADE 1.5W X 0.0625T X 10.5L	13
2	AAB-015-10164	SCREW TRUSS HEAD PHILLIPS 1/4-20 X 3/8L	20
3	AAB-015-20050	WELD NUT ROUND BASE 1/4-20 X 5/16L BARREL	40
4	AAB-015-10177	SCREW TRUSS HEAD PHILLIPS 1/4-20 X 1/2L	20



UNITS	PAPER A	SHEET 1 OF 1	A	9/6/2016	UPDATED HARDWARE TO CONFORM TO ECN (#16015)	RE	DR	CK	DR	G Mills	DAT	11/5/2013	MAT	TOLERANCES (UNLESS SPECIFIED OTHERWISE) FRACTIONAL ± 1/16" DEC X.X ± 0.1" DEC X.XX ± 0.06" DEC X.XXX ± 0.031" ANGULAR ± 0.5°	<b>JAY-LOR</b> Fabricating Inc
TITLE					MINI SQ AUGER FULL KNIFE/HARDWARE KIT					FILE NO		AAA-005-00333.idw		CONFIDENTIAL- THESE DRAWINGS AND COPIES THEREOF REMAIN THE PROPERTY OF JAY-LOR FABRICATING INC. ANY PERSON FOUND UNLAWFULLY USING, DISTRIBUTING, OR IN POSSESSION OF THE ABOVE WILL BE PROSECUTED	

Parts List

ITEM	PART NUMBER	TITLE	QTY
1	AAA-007-00698	A50 ENGINE/PUMP COUPLING KIT	1
2	AAA-007-00732	MINI BELL HOUSING TOP COVER 1/8T	1
3	AAA-007-00740	A100 ENGINE/PUMP COUPLING KIT	1
4	AAB-007-00657	MINI PUMP/MOTOR BRKT SAE A PAD	1
5	AAB-007-00717	MINI PUMP/MOTOR BRKT ACCESS COVER PLASTIC	1
6	AAB-007-00813	HONDA GX690/ 1-1/8" SHAFT/ 17AMP CHARGE COIL	1
7	AAB-007-00814	HONDA GX690 MUFFLER HIGH MOUNT LEFT OUTLET	1
8	AAB-018-00059	12V LEAD ACID BATTERY/ U1/ 340CCA/ 41RC	1
9	AAB-018-00063	MINI 12V BATTERY TIE DOWN CROSSER	1
10	AAB-018-00064	MINI 12V BATTERY TIE DOWN HARDWARE	1
11	AAB-018-00098	GENERAL PURPOSE RELAY 40/30A 12VDC	1
12	AAB-018-00099	5-PIN 14GA RELAY PIGTAIL	1

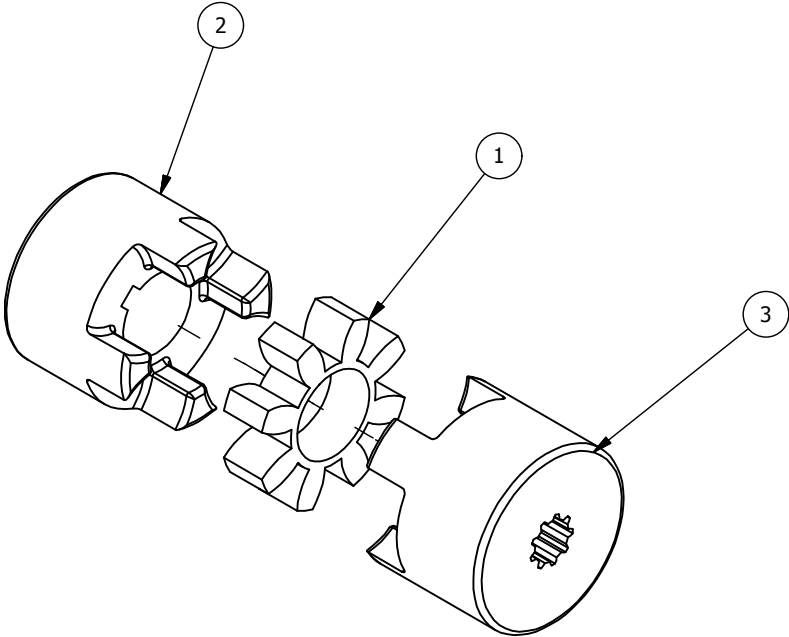


NOTE: 'DETAIL A' SHOWS COUPLING KIT USED WITH PREVIOUSLY AVAILABLE VANGUARD 23HP ENGINE.

UNITS	PAPER A	SHEET 1 OF 1	R#	DATE	DESCRIPTION	DR	CK
TITLE					FILE NO		
A100 TRAILER / TRUCK MOUNTED POWER SUPPLY PARTS					AAA-054-00108.idw		

DR	GM	TOLERANCES (UNLESS SPECIFIED OTHERWISE) FRACTIONAL ± 1/16" DEC X.X ± 0.1" DEC X.XX ± 0.06" DEC X.XXX ± 0.031" ANGULAR ± 0.5°	<b>JAY-LOR</b> Fabricating Inc
DAT 9/5/2012			
MAT			
CONFIDENTIAL: THESE DRAWINGS AND COPIES THEREOF REMAIN THE PROPERTY OF JAY-LOR FABRICATING INC. ANY PERSON FOUND UNLAWFULLY USING, DISTRIBUTING, OR IN POSSESSION OF THE ABOVE WILL BE PROSECUTED			

Parts List			
ITE	PART NUMBER	TITLE	QTY
1	AAB-007-00658	MINI 24/32 RED 98 DURO SPIDER	1
2	AAB-007-00659	MINI 24/32 PM B HUB/ 1IN BORE	1
3	AAB-007-00660	MINI 24/32 PM B HUB/ SAE A SPLINE	1

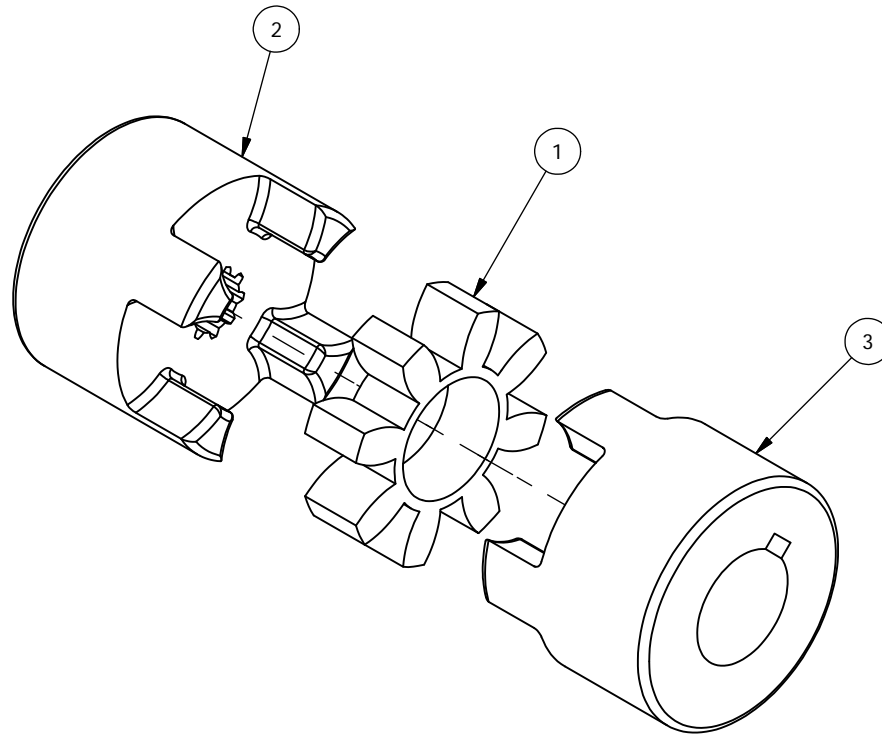


UNITS	PAPER A	SHEET 1 OF 1	R#	DATE	DESCRIPTION	DR	CK
TITLE A50 / A100 ENGINE / PUMP COUPLING KIT					FILE NO AAA-007-00698.idw		

DR GM	TOLERANCES (UNLESS SPECIFIED OTHERWISE) FRACTIONAL ± 1/16" DEC X.X ± 0.1" DEC X.XX ± 0.06" DEC X.XXX ± 0.031" ANGULAR ± 0.5°	<b>JAY•LOR®</b> Fabricating Inc
DAT 9/2/2011		
MAT		
CONFIDENTIAL: THESE DRAWINGS AND COPIES THEREOF REMAIN THE PROPERTY OF JAY-LOR FABRICATING INC. ANY PERSON FOUND UNLAWFULLY USING, DISTRIBUTING, OR IN POSSESSION OF THE ABOVE WILL BE PROSECUTED		

Parts List

ITE	PART NUMBER	TITLE	QTY
1	AAB-007-00658	MINI 24/32 RED 98 DURO SPIDER	1
2	AAB-007-00660	MINI 24/32 PM B HUB/ SAE A SPLINE	1
3	AAB-007-00815	MINI 24/32 PM B HUB/ 1-1/8IN BORE	1



DR	GM	TOLERANCES (UNLESS SPECIFIED OTHERWISE) FRACTIONAL ± 1/16" DEC X.X ± 0.1" DEC X.XX ± 0.06" DEC X.XXX ± 0.031" ANGULAR ± 0.5°	<b>JAY•LOR</b> Fabricating Inc
DAT	11/5/2013		
MAT			

UNITS	PAPER A	SHEET 1 OF 1	R#	DATE	DESCRIPTION	DR	CK
-------	---------	--------------	----	------	-------------	----	----

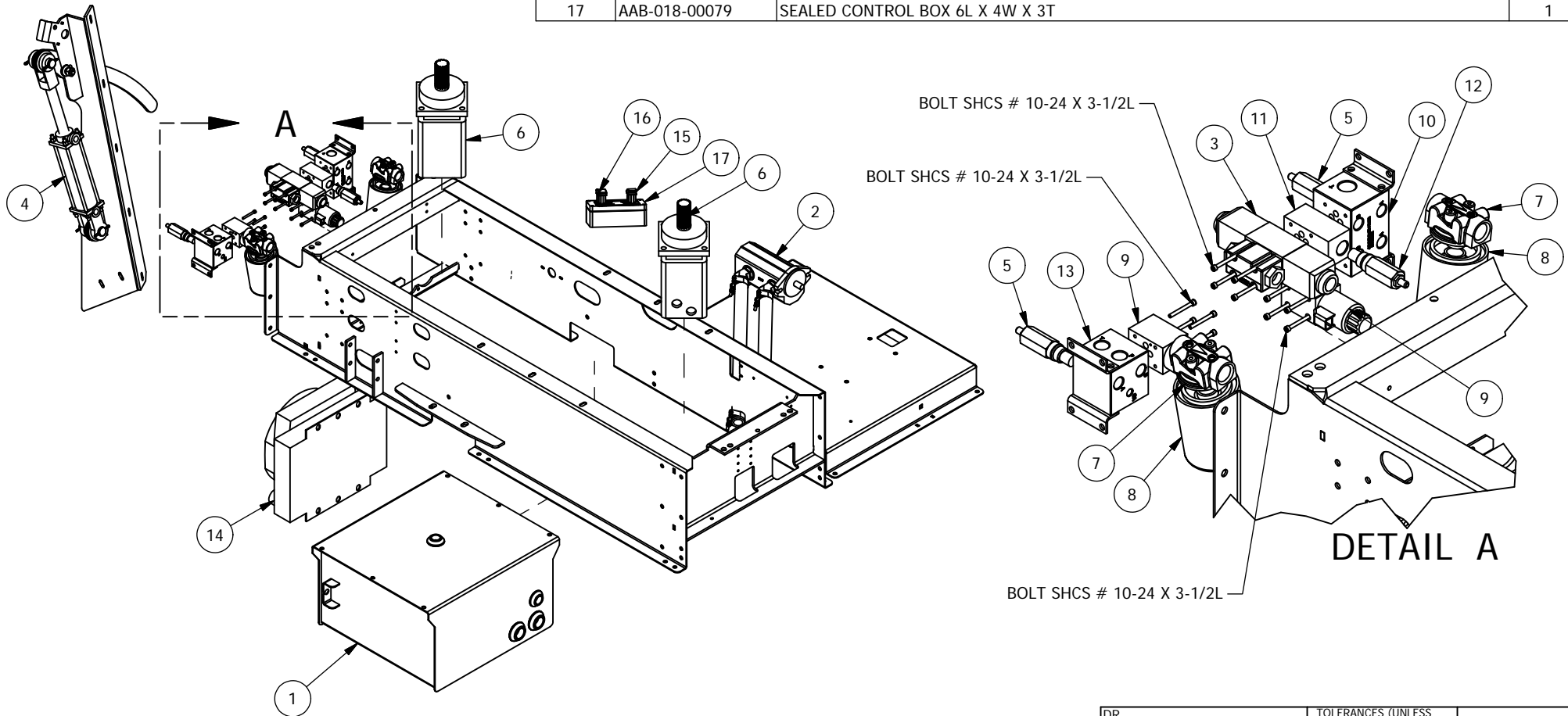
TITLE A100 ENGINE/PUMP COUPLING KIT

FILE NO AAA-007-00740.idw

CONFIDENTIAL: THESE DRAWINGS AND COPIES THEREOF REMAIN THE PROPERTY OF JAY-LOR FABRICATING INC. ANY PERSON FOUND UNLAWFULLY USING, DISTRIBUTING, OR IN POSSESSION OF THE ABOVE WILL BE PROSECUTED

Parts List

ITEM	PART NUMBER	TITLE	QTY
1	AAA-009-00268	A100 HYD OIL TANK WELDMENT	1
2	AAA-009-00428	A100 TM GEAR PUMP/FITTINGS/HOSES KIT	1
3	AAB-009-00122	VALVE LINEAR MOTION	1
4	AAB-009-00230	HYD CYDR 6IN STROKE X 2IN BORE	1
5	AAB-009-00384	VALVE PILOT RELIEF	2
6	AAB-009-00417	MINI 500CC HYD AUGER MOTOR	1
7	AAB-009-00420	MINI SP15/25 FILTER HEAD 3/4IN ORB 25PSI BYPASS	2
8	AAB-009-00421	MINI FILTER ELEMENT/ 10 MICRON/ 2-1/2 MEDIA/ 150PSI	2
9	AAB-009-00488	VALVE D03 DIRECTIONAL SOLENOID 12VDC 2 POSITION TANDEM CENTER	2
10	AAB-009-00489	MANIFOLD BLOCK D03 2 STATIONS SERIES	1
11	AAB-009-00491	VALVE SANDWICH D03 FOR RELIEF	1
12	AAB-009-00492	VALVE PILOT RELIEF 50-300 PSI ADJUSTABLE	1
13	AAB-009-00498	MANIFOLD BLOCK D03 1 STATION	1
14	AAB-009-00679	HYD OIL COOLER ELD2 W/ 12VDC ELECTRIC FAN W/ TEMP SWITCH W/ RELAY	1
15	AAB-018-00076	SEALED SPST ROCKER ON-NONE-OFF	1
16	AAB-018-00077	SEALED DPDT ROCKER (ON)-OFF-(ON)	1
17	AAB-018-00079	SEALED CONTROL BOX 6L X 4W X 3T	1

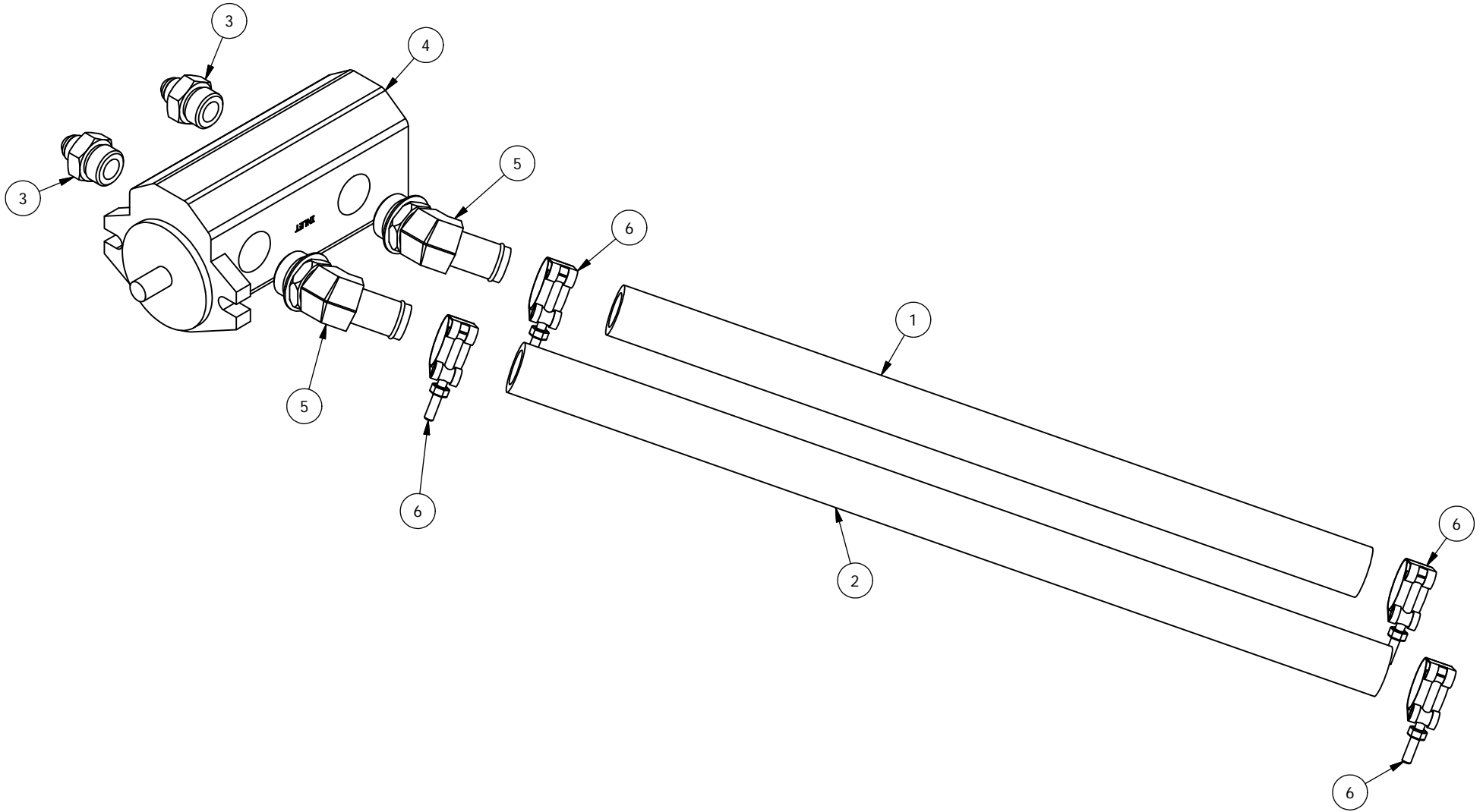


UNITS	PAPER A	SHEET 1 OF 1	R#	DATE	DESCRIPTION	DR	CK
TITLE					FILE NO		
A100 TRUCK MOUNTED HYDRAULIC / CONTROL COMPONENTS					AAA-054-00118.idw		

DR	GM	TOLERANCES (UNLESS SPECIFIED OTHERWISE) FRACTIONAL ± 1/16" DEC X.X ± 0.1" DEC X.XX ± 0.06" DEC X.XXX ± 0.031" ANGULAR ± 0.5°	<b>JAY-LOR</b> Fabricating Inc
DATE	9/10/2012		
MAT			
CONFIDENTIAL: THESE DRAWINGS AND COPIES THEREOF REMAIN THE PROPERTY OF JAY-LOR FABRICATING INC. ANY PERSON FOUND UNLAWFULLY USING, DISTRIBUTING, OR IN POSSESSION OF THE ABOVE WILL BE PROSECUTED			

Parts List

ITE	PART NUMBER	TITLE	QTY
1	AAA-009-00425	HOSE HYD 1DIA 1-WIRE 22L	1
2	AAA-009-00427	HOSE HYD 1DIA 1-WIRE 25.5L	1
3	AAB-009-00433	FIT ADPT 12 MORB X 8 MJIC	2
4	AAB-009-00686	MINI TANDEM 8CC HYD GEAR PUMP SAE A FLANGE/ 16 MORB IN/ 12 MORB OUT	1
5	AAB-009-00693	FIT 45DEG 16 MORB X 16 BARB	2
6	AAB-015-40012	BAND CLAMP T-BOLT 1.344 ID X 1.562 OD TBC150	4



DR	GMills	TOLERANCES (UNLESS SPECIFIED OTHERWISE) FRACTIONAL ± 1/16" DEC X.X ± 0.1" DEC X.XX ± 0.06" DEC X.XXX ± 0.031" ANGULAR ± 0.5°	<b>JAY-LOR</b> Fabricating Inc
DAT	1/4/2013		
MAT			

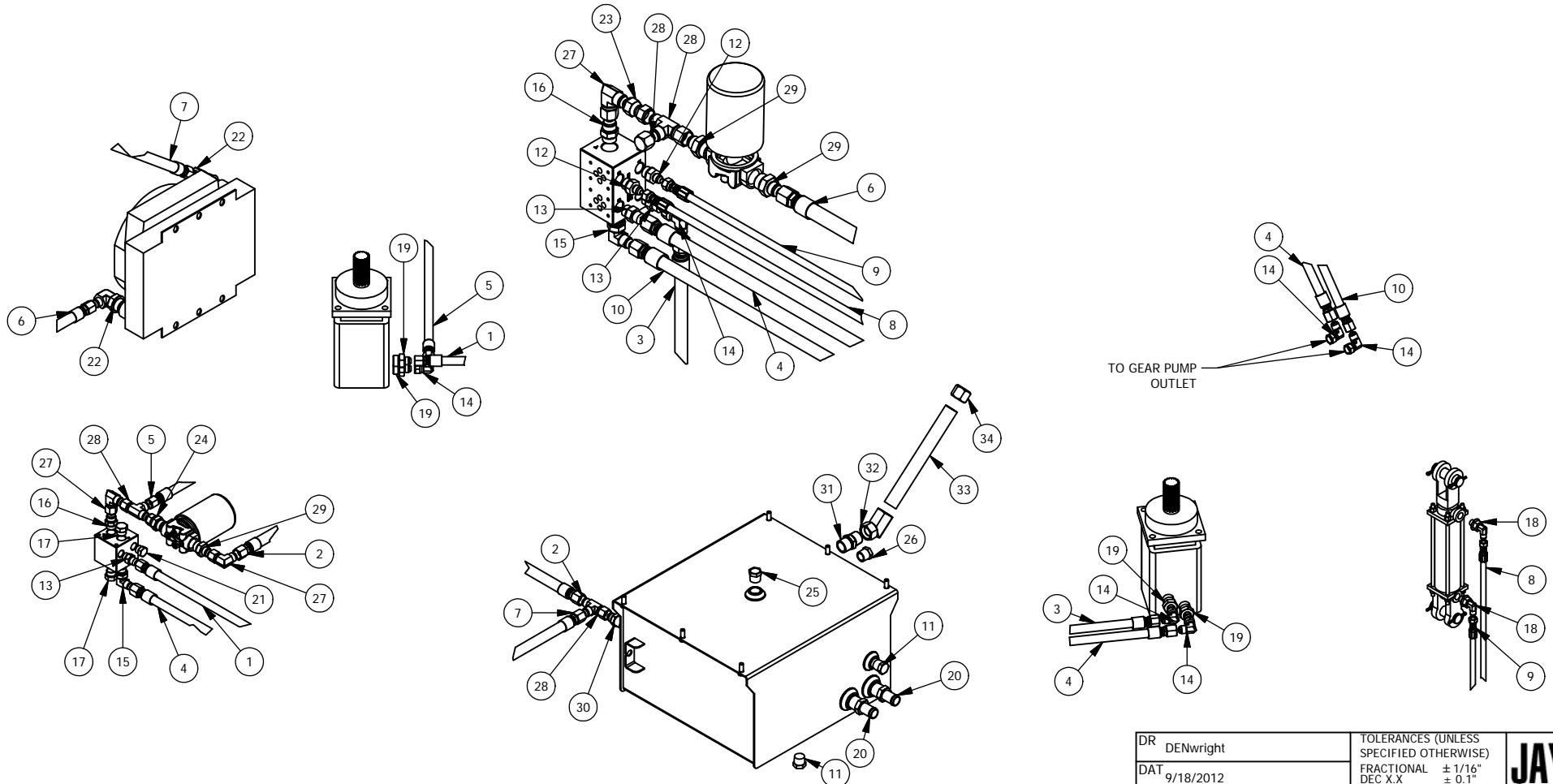
UNITS	PAPER A	SHEET 1 OF 1	R#	DATE	DESCRIPTION	DR	CK
-------	---------	--------------	----	------	-------------	----	----

TITLE A100 TM GEAR PUMP/FITTINGS/HOSES KIT FILE NO AAA-009-00428.idw

CONFIDENTIAL- THESE DRAWINGS AND COPIES THEREOF REMAIN THE PROPERTY OF JAY-LOR FABRICATING INC. ANY PERSON FOUND UNLAWFULLY USING, DISTRIBUTING, OR IN POSSESSION OF THE ABOVE WILL BE PROSECUTED

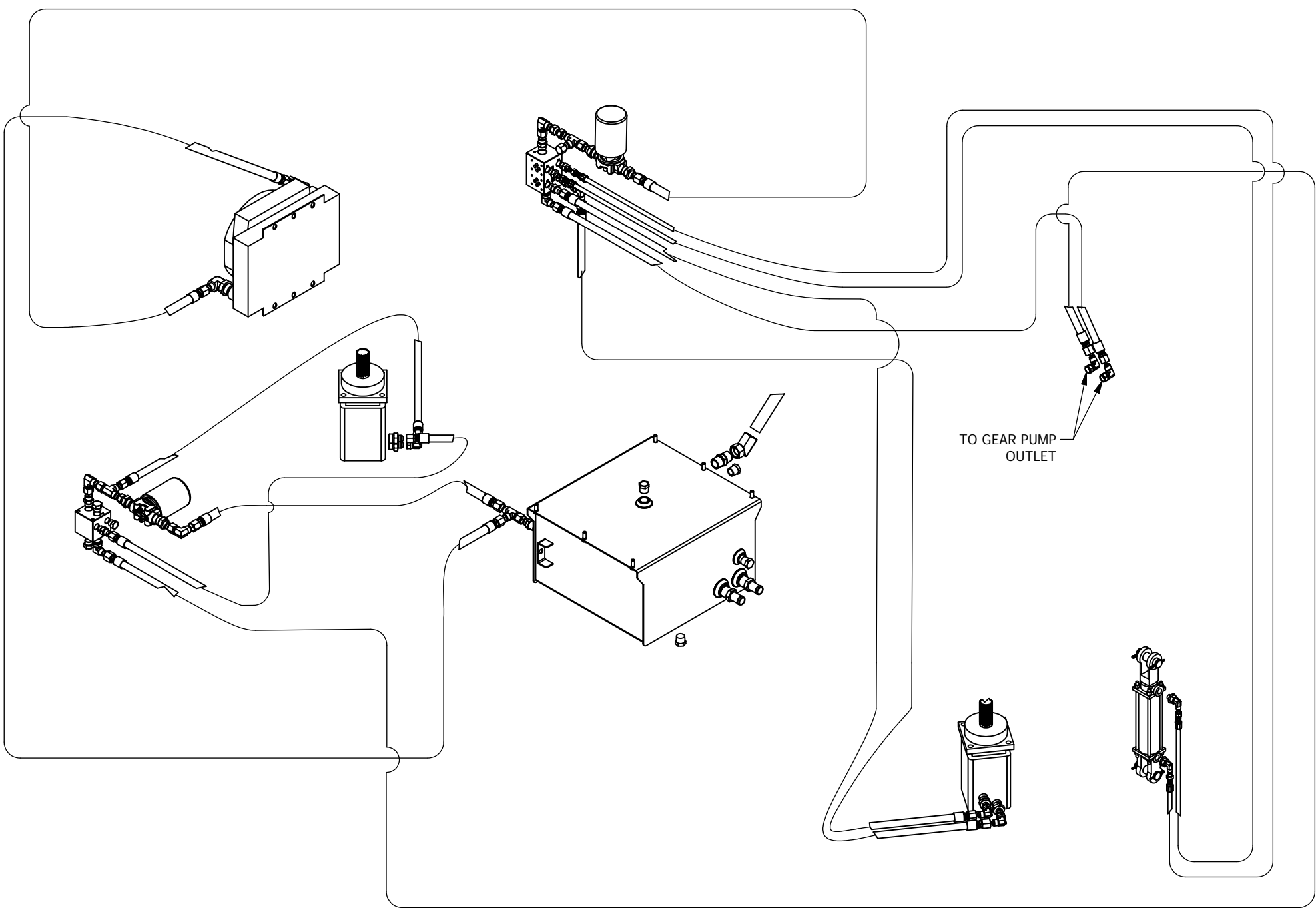
Parts List				Parts List			
ITEM	PART NUMBER	TITLE	QTY	ITEM	PART NUMBER	TITLE	QTY
1	AAA-009-00210	HOSE HYD 1/2DIA SINGLE BRAID 8 FJIC X 8 FJIC 38L 3000PSI	1	18	AAB-009-00252	FIT 90DEG 6 MORB ADJ X 6 MJIC	2
2	AAA-009-00279	HOSE HYD 5/8DIA SINGLE BRAID 10 FJIC SWIVEL X 10 FJIC SWIVEL 9L	1	19	AAB-009-00433	FIT ADPT 12 MORB X 8 MJIC	4
3	AAA-009-00280	HOSE HYD 1/2DIA SINGLE BRAID 8 FJIC X 8 FJIC 53L 3000PSI	1	20	AAB-009-00439	FIT ADPT 16 MNPT X 16 BARB	2
4	AAA-009-00282	HOSE HYD 1/2DIA SINGLE BRAID 10 FJIC X 8 FJIC 60L 3000PSI	2	21	AAB-009-00463	FIT PLUG 8 MORB	1
5	AAA-009-00283	HOSE HYD 1/2DIA SINGLE BRAID 8 FJIC SWIVEL X 10 FJIC SWIVEL 21L	1	22	AAB-009-00502	FIT 90DEG 16 MORB X 10 MJIC	2
6	AAA-009-00287	HOSE HYD 5/8DIA SINGLE BRAID 10 FJIC SWIVEL X 10 FJIC SWIVEL 51L	1	23	AAB-009-00503	FIT ADPT 10 FJIC X 10 FJIC	1
7	AAA-009-00288	HOSE HYD 5/8DIA SINGLE BRAID 10 FJIC SWIVEL X 10 FJIC SWIVEL 44L	1	24	AAB-009-00504	FIT ADPT 12 MORB X 10 FJIC	1
8	AAA-009-00289	HOSE HYD 1/4DIA SINGLE BRAID 6 FJIC X 6 FJIC 82L 3000PSI	1	25	AAB-009-00570	BRONZE BREATHER 12 MNPT	1
9	AAA-009-00290	HOSE HYD 1/4DIA SINGLE BRAID 6 FJIC X 6 FJIC 70L 3000PSI	1	26	AAB-009-00571	OIL LEVEL SIGHT 12 MNPT	1
10	AAA-009-00405	HOSE HYD 1/2DIA SINGLE BRAID 8 FJIC X 8 FJIC 65L 3000PSI	1	27	AAB-009-00576	FIT 90DEG 10 MJIC X 10 FJIC ADJ	3
11	AAB-008-00057	PLUG DRAIN 3/4	2	28	AAB-009-00578	FIT TEE 10 FJIC ADJ X 10 MJIC X 10 MJIC	3
12	AAB-009-00074	FIT ADPT 6 MJIC X 8 MORB	2	29	AAB-009-00579	FIT ADPT 12 MORB X 10 MJIC	3
13	AAB-009-00087	FIT ADPT 8 MJIC X 8 MORB	3	30	AAB-009-00582	FIT ADPT 12 MNPT X 10 MJIC	1
14	AAB-009-00088	FIT 90DEG 8 MJIC X 8 FJIC SWIVEL	6	31	AAB-009-00583	FIT ADPT 16 MNPT X 16 MNPT	1
15	AAB-009-00099	FIT 90DEG 8 MJIC X 10 MORB ADJ	2	32	AAB-009-00584	FIT 45 DEG 16 FNPT ADJ X 16 FNPT	1
16	AAB-009-00155	FIT ADPT 10MJIC X 10 MORB	2	33	AAB-009-00672	PIPE NIPPLE 1 MNPT X 11L	1
17	AAB-009-00159	FIT PLUG 10 MORB	2	34	AAB-009-00673	FIT CAP 16 FNPT	1

NOTE : SEE A100 TRUCK MOUNT MAIN SUPPLY CIRCUIT (B) DRAWING FOR HOSE PATHS / DIRECTION



UNITS	PAPER A	SHEET 1 OF 1	R#	DATE	DESCRIPTION	DR	CK
TITLE					FILE NO		
A100 TRUCK MOUNT MAIN SUPPLY CIRCUIT					AAA-054-00124.idw		

DR	DENwright	TOLERANCES (UNLESS SPECIFIED OTHERWISE) FRACTIONAL ± 1/16" DEC X.X ± 0.1" DEC X.XX ± 0.06" DEC X.XXX ± 0.031" ANGULAR ± 0.5°	
DAT	9/18/2012		
MAT			
CONFIDENTIAL: THESE DRAWINGS AND COPIES THEREOF REMAIN THE PROPERTY OF JAY-LOR FABRICATING INC. ANY PERSON FOUND UNLAWFULLY USING, DISTRIBUTING, OR IN POSSESSION OF THE ABOVE WILL BE PROSECUTED			



TO GEAR PUMP  
OUTLET

UNITS		PAPER A		SHEET 1 OF 1		R#		DATE		DESCRIPTION		DR		CK		DR DENwright DAT 9/18/2012 MAT		TOLERANCES (UNLESS SPECIFIED OTHERWISE) FRACTIONAL ± 1/16" DEC X.X ± 0.1" DEC X.XX ± 0.06" DEC X.XXX ± 0.031" ANGULAR ± 0.5°		<b>JAY-LOR</b> Fabricating Inc	
TITLE A100 TRUCK MOUNT MAIN SUPPLY CIRCUIT										FILE NO AAA-054-00124(B).idw		CONFIDENTIAL: THESE DRAWINGS AND COPIES THEREOF REMAIN THE PROPERTY OF JAY-LOR FABRICATING INC. ANY PERSON FOUND UNLAWFULLY USING, DISTRIBUTING, OR IN POSSESSION OF THE ABOVE WILL BE PROSECUTED									

Parts List

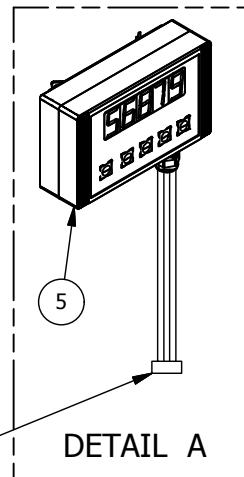
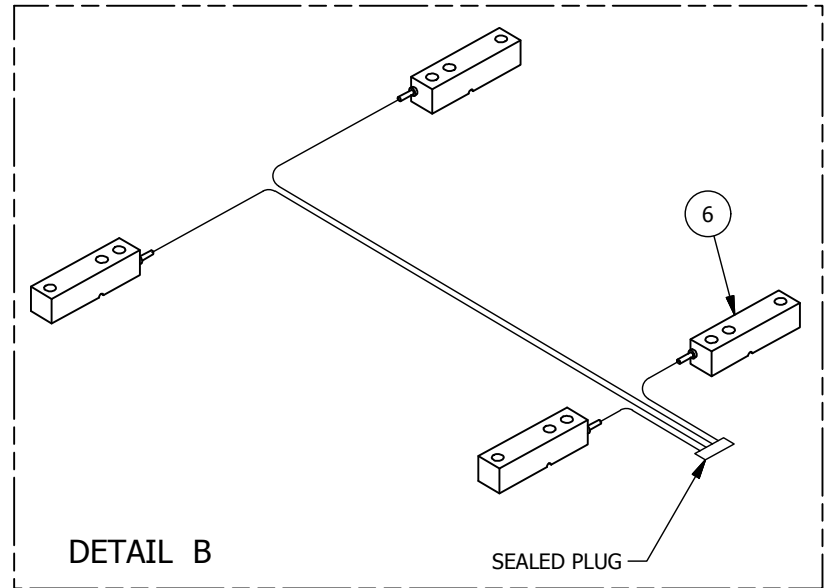
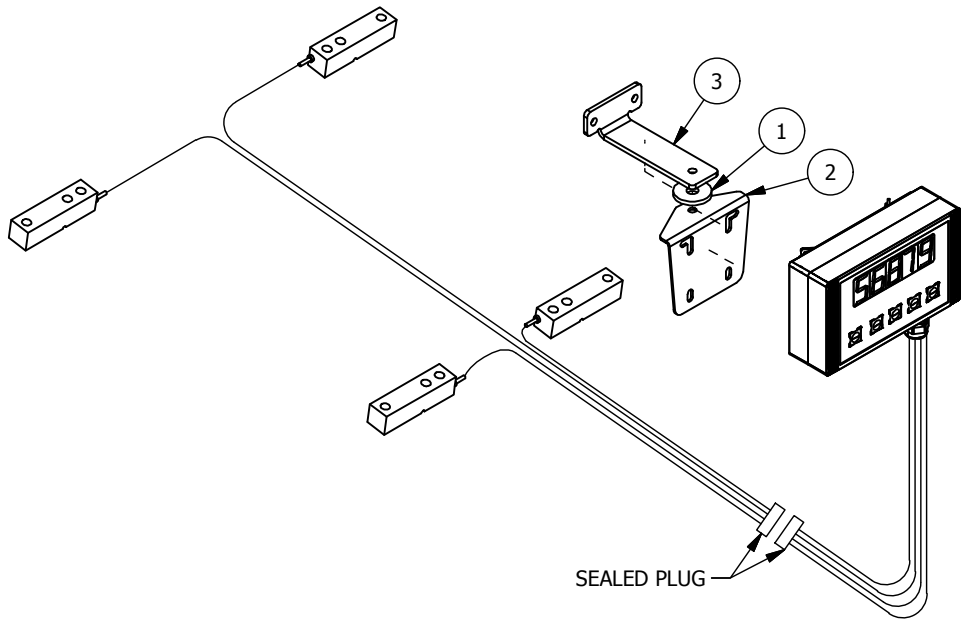
ITE	PART NUMBER	TITLE	QTY
1	AAA-000-00059	WSHR URETHANE 2DIA	1
2	AAA-010-00060	MINI SCALEHEAD BRKT 1/8T	1
3	AAA-010-00061	MINI SCALEHEAD ARM 1/4T	1
5	AAB-010-00289	MINI WEIGHING INDICATOR W/ PLUG	1
6	AAB-010-00290	MINI WEIGHING FOUR BAR KIT	1

NOTE: AS SHOWN, WEIGHING KITS CAN BE ORDERED IN THE FOLLOWING WAYS:

4) AAB-010-00261: INCLUDES INDICATOR, INDICATOR CABLE, FOUR WEIGH BARS, WEIGH BAR CABLES, AND CONNECTION PLUG

5) AAB-010-00289: INCLUDES INDICATOR, INDICATOR CABLE, AND ONE SIDE OF CONNECTION PLUG

6) AAB-010-00290: INCLUDES FOUR WEIGH BARS, WEIGH BAR CABLES, AND ONE SIDE OF CONNECTION PLUG



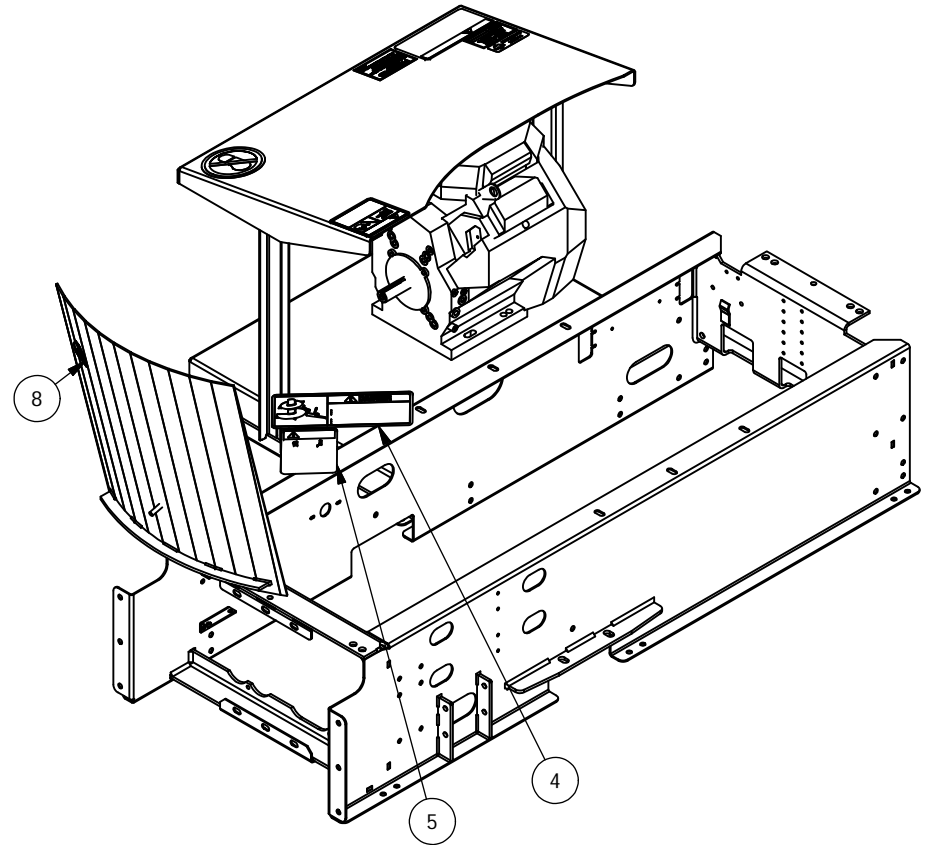
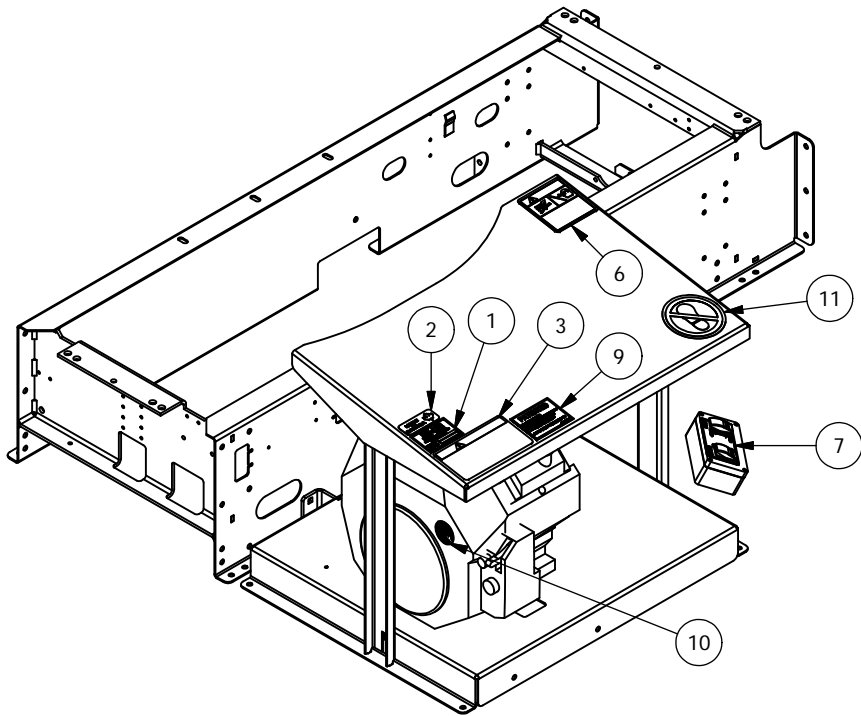
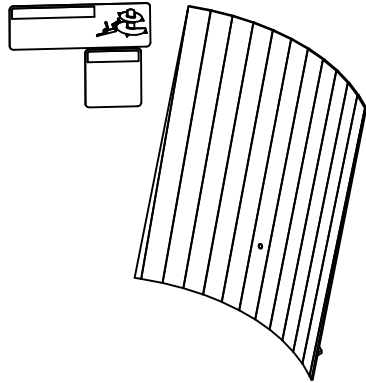
DR	GM	TOLERANCES (UNLESS SPECIFIED OTHERWISE) FRACTIONAL ± 1/16" DEC X.X ± 0.1" DEC X.XX ± 0.06" DEC X.XXX ± 0.031" ANGULAR ± 0.5°	<b>JAY•LOR</b> Fabricating Inc
DAT	2/3/2011		
MAT			

UNITS	PAPER A	SHEET 1 OF 1	R#	DATE	DESCRIPTION	DR	CK
TITLE MINI WEIGHING SYSTEM COMPONENTS						FILE NO AAA-054-00040.idw	

CONFIDENTIAL: THESE DRAWINGS AND COPIES THEREOF REMAIN THE PROPERTY OF JAY-LOR FABRICATING INC. ANY PERSON FOUND UNLAWFULLY USING, DISTRIBUTING, OR IN POSSESSION OF THE ABOVE WILL BE PROSECUTED

Parts List

ITEM	PART NUMBER	TITLE	QTY
1	AAB-012-00020	DECAL JAYLOR MODEL AND SERIAL NUMBER	1
2	AAB-012-00022	DECAL MADE IN CANADA	1
3	AAB-012-00028	DECAL WARNING	1
4	AAB-012-00029	DECAL DANGER ROTATING AUGER HAZARD	1
5	AAB-012-00030	DECAL WARNING PINCH POINT HAZARD	1
6	AAB-012-00036	DECAL WARNING HIGH PRESSURE FLUID HAZZARD	1
7	AAB-012-00099	DECAL MINI TM AUGER ON/OFF AND DOOR UP/DOWN	1
8	AAB-012-00103	DECAL IMPORTANT GREASE AUGER	1
9	AAB-012-00107	DECAL MINIMIXER PATENTS	1
10	AAB-012-00140	DECAL KEEP INTAKE CLEAN	1
11	AAB-012-00141	DECAL NOT A STEP	1



DR	GM	TOLERANCES (UNLESS SPECIFIED OTHERWISE)	<b>JAY-LOR</b> Fabricating Inc
DATE	9/10/2012	FRACTIONAL ± 1/16"	
		DEC X.X ± 0.1"	
		DEC X.XXX ± 0.06"	
		DEC X.XXX ± 0.031"	
		ANGULAR ± 0.5°	

UNITS	PAPER A	SHEET 1 OF 1	R#	DATE	DESCRIPTION	DR	CK
-------	---------	--------------	----	------	-------------	----	----

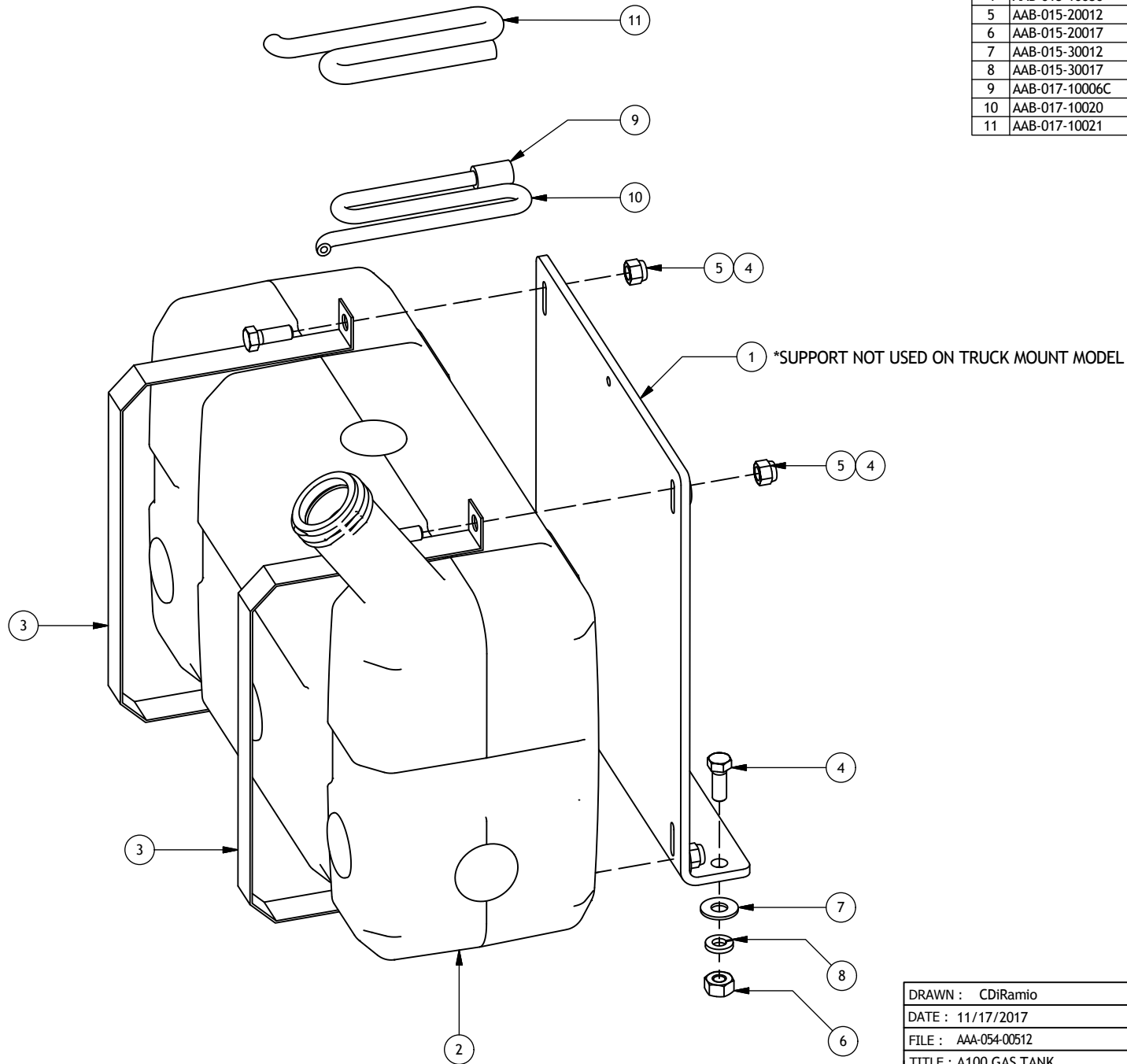
TITLE A100 TRUCK MOUNTED DECALS

FILE NO AAA-054-00119.idw

CONFIDENTIAL: THESE DRAWINGS AND COPIES THEREOF REMAIN THE PROPERTY OF JAY-LOR FABRICATING INC. ANY PERSON FOUND UNLAWFULLY USING, DISTRIBUTING, OR IN POSSESSION OF THE ABOVE WILL BE PROSECUTED

# GAS TANK

MOBILE, TRAILER & TRUCK MOUNT



Parts List

ITEM	PART NUMBER	TITLE	QTY
1	AAA-002-00862	A100 5 GAL FUEL TANK SUPT 1/4T	1
2	AAB-007-00789	FUEL TANK 5 GAL LOW PRO	1
3	AAB-007-00790	STRAP 5 GAL LOW PRO FUEL TANK	2
4	AAB-015-10056	BOLT HEX 3/8 X 1 UNC GRD 2	6
5	AAB-015-20012	NUT HEX 3/8 LOCK NYLON GRD 2	4
6	AAB-015-20017	NUT HEX 3/8 UNC GRD 2	2
7	AAB-015-30012	WSHR FLAT 3/8 USS	2
8	AAB-015-30017	WSHR LOCK 3/8	2
9	AAB-017-10006C	HOSE RUBBER LOW PRESSURE 3/8 (1" CUT SECTION)	1
10	AAB-017-10020	FUEL LINE PVC 3/16 (94" CUT SECTION)	1
11	AAB-017-10021	FUEL LINE PVC 1/4 (68" CUT SECTION)	1

DRAWN : CDiRamio

DATE : 11/17/2017

FILE : AAA-054-00512

TITLE : A100 GAS TANK

PRINT DATE:

**JAY-LOR**  
Fabricating Inc

TOLERANCES (UNLESS SPECIFIED OTHERWISE)  
 FRACTIONAL ± 1/16"  
 DEC X.X ± 0.1"  
 DEC X.XX ± 0.06"  
 DEC X.XXX ± 0.031"  
 ANGULAR ± 0.5°

SHEET 1 OF 1

CONFIDENTIAL - THESE DRAWINGS AND COPIES THEREOF REMAIN THE PROPERTY OF JAY-LOR FABRICATING INC. ANY PERSON FOUND  
 11/27/2017 UNLAWFULLY USING, DISTRIBUTING, OR IN POSSESSION OF THE ABOVE WILL BE PROSECUTED