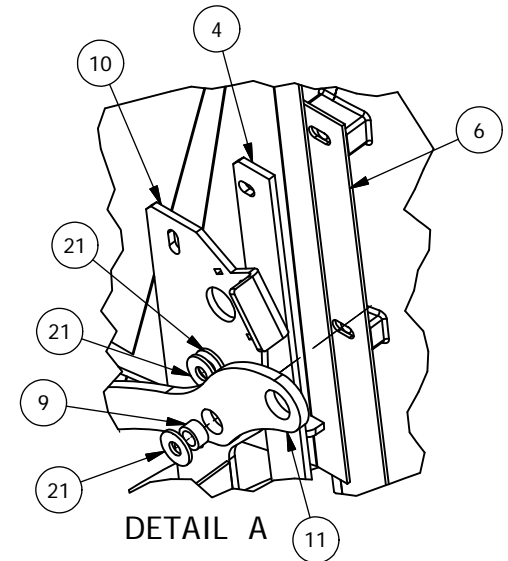
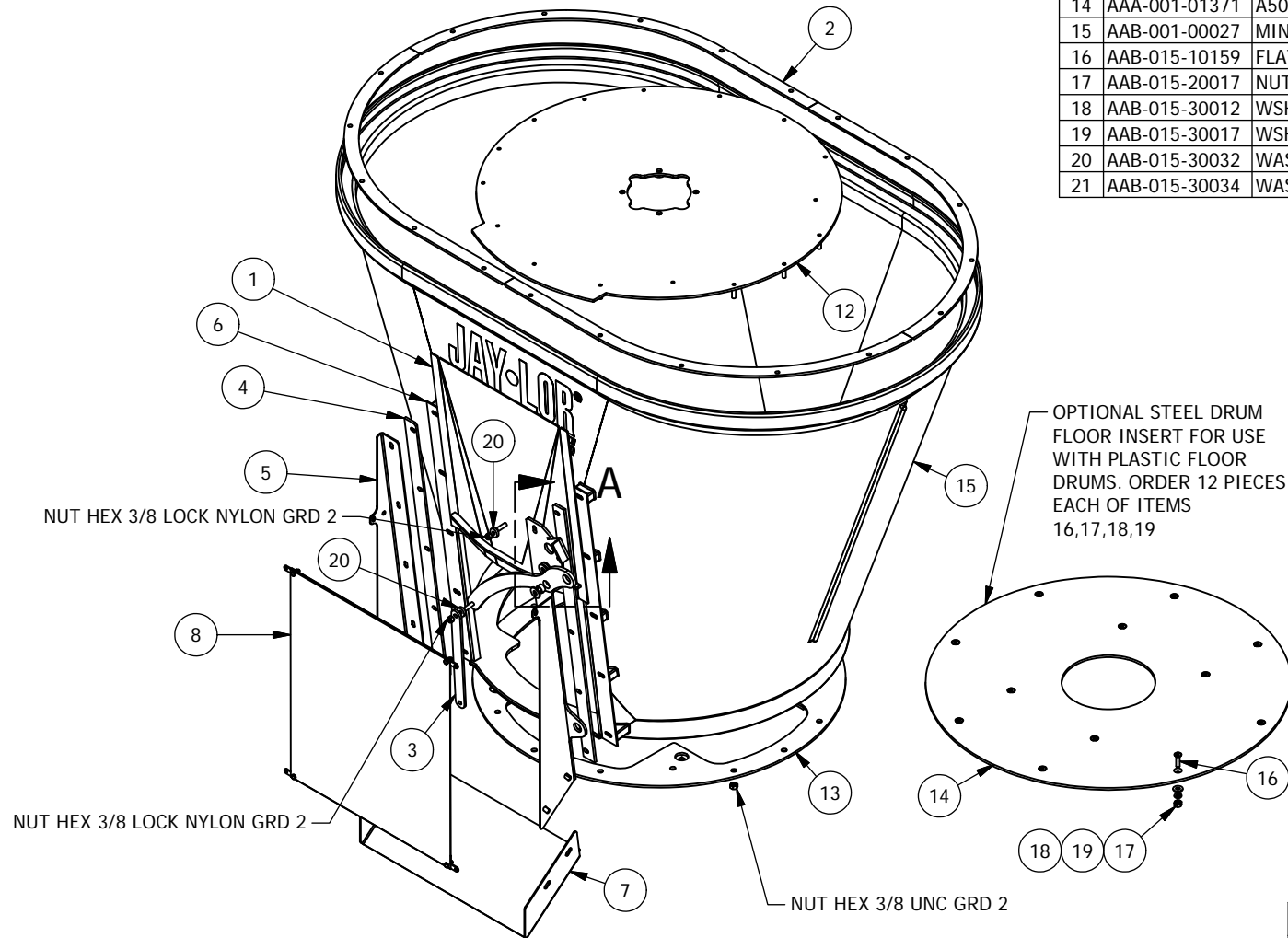


NOTE: THESE DRUM PARTS SHOULD ONLY BE INSTALLED ON THE NEW STYLE LARGE DOOR DRUM WITH DOOR OPENING MEASURING 18IN. WIDE BY 22IN. HIGH. DRUM PARTS FOR THE OLD STYLE SMALL DOOR DRUM ARE ALSO SHOWN IN THIS PARTS BOOK. PLEASE CHECK DOOR SIZE BEFORE ORDERING ANY OF THESE PARTS.

Parts List			
ITE	PART NUMBER	TITLE	QTY
1	AAA-001-00991	MINI DRUM DOOR WELDMNT	1
2	AAA-001-00995	A50 UPPR DRUM RING WELDMNT	1
3	AAA-001-00997	MINI DOOR LINKAGE 1/4T	1
4	AAA-001-01005	MINI DOOR SPCR 1/4T	2
5	AAA-001-01006	MINI OUTER DOOR TRACK RTH DISCHARGE REAR 1/8T	1
6	AAA-001-01007	MINI INNER DOOR TRACK 1/8T	2
7	AAA-001-01061	MINI LONG DISCHARGE CHUTE 1/8T	1
8	AAA-001-01129	MINI LARGE DOOR DISCHARGE SHIELD KIT	1
9	AAA-001-01184	PIPE SIZE 1/2 SCH 80 X 7/16L	1
10	AAA-001-01185	MINI OUTER DOOR TRACK WELDMNT RTH DISCHARGE FRT	1
11	AAA-001-01187	MINI HYD DOOR ARM WELDMNT RTH DISCHARGE	1
12	AAA-001-01352	A50 INNER DRUM FLR WELDMNT	1
13	AAA-001-01356	A50 DRUM MNT RING WELDMNT	1
14	AAA-001-01371	A50 DRUM FLR INSERT 1/4T	1
15	AAB-001-00027	MINI POLYETHYLENE DRUM 50CUFT	1
16	AAB-015-10159	FLAT SOC CAP SCREW 3/8-16 X 1-1/2L GRD 8	12
17	AAB-015-20017	NUT HEX 3/8 UNC GRD 2	13
18	AAB-015-30012	WSHR FLAT 3/8 USS	12
19	AAB-015-30017	WSHR LOCK 3/8	12
20	AAB-015-30032	WASHER BLACK NYLON 3/8ID X 10D X 1/4T	2
21	AAB-015-30034	WASHER NYLON 1/2ID X 1-1/4OD X 1/8T	3



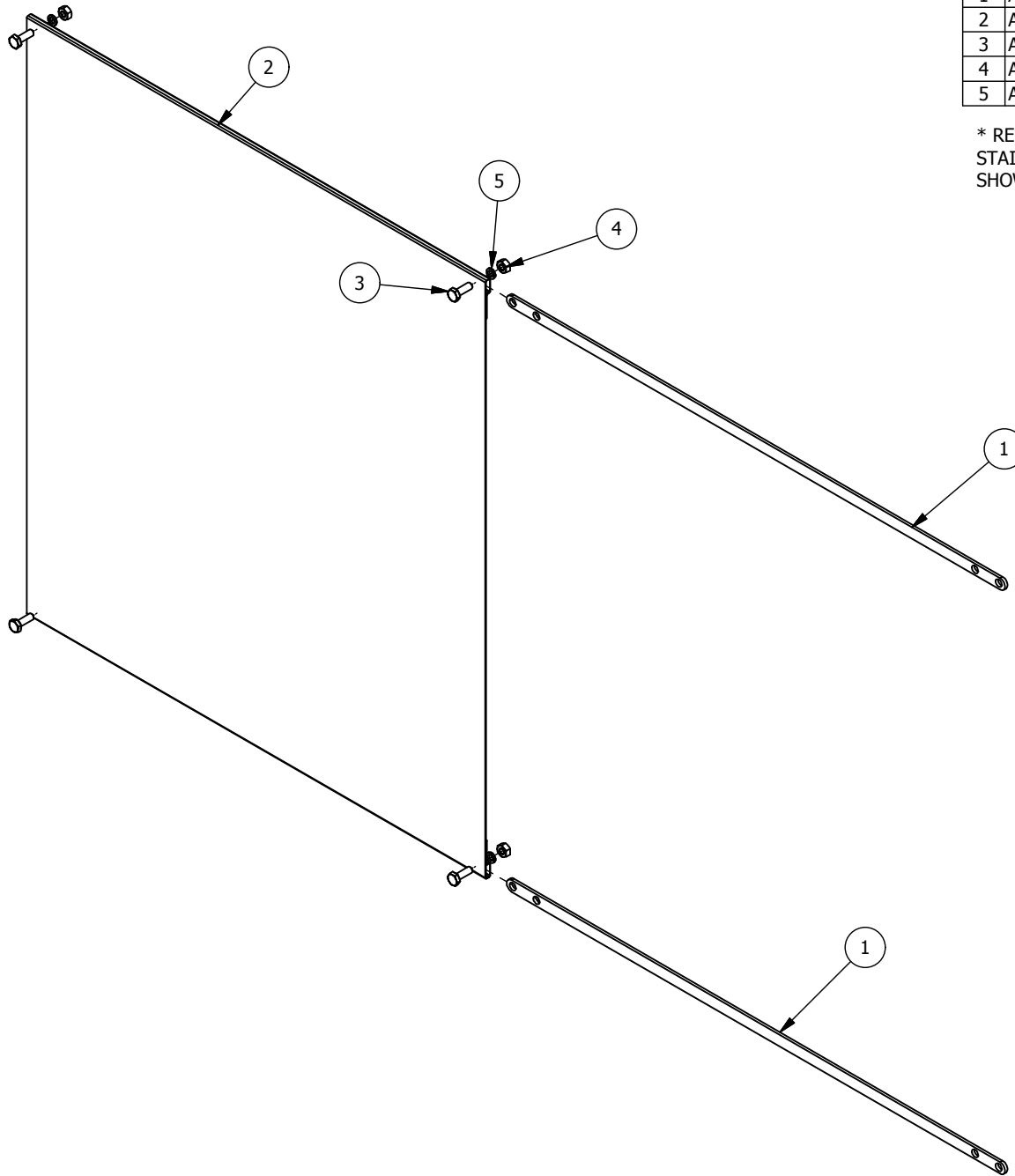
UNITS	PAPER A	SHEET 1 OF 1	R#	DATE	DESCRIPTION	DR	CK	DR GM	TOLERANCES (UNLESS SPECIFIED OTHERWISE)							
TITLE	A50 TRUCK MOUNTED LARGE DOOR DRUM PARTS					FILE NO	AAA-054-00052.idw	DAT	2/3/2011	FRACTIONAL		± 1/16"				
								MAT	DEC X.X	± 0.1"		DEC X.XX	± 0.06"	DEC X.XXX	± 0.031"	ANGULAR

CONFIDENTIAL: THESE DRAWINGS AND COPIES THEREOF REMAIN THE PROPERTY OF JAY-LOR FABRICATING INC. ANY PERSON FOUND UNLAWFULLY USING, DISTRIBUTING, OR IN POSSESSION OF THE ABOVE WILL BE PROSECUTED

Parts List

ITE	PART NUMBER	TITLE	QTY
1	AAA-001-01087*	MINI TARP SHIELD SUPT BAR 1/8T	2
2	AAB-001-00034	MINI TARP DISHCARGE SHIELD 23W X 26H X 40OZ	1
3	AAB-015-10089*	BOLT HEX 1/4 X 3/4 UNC GRD 5	4
4	AAB-015-20036*	NUT HEX 1/4 UNC GRD 5	4
5	AAB-015-30025*	WSHR LOCK 1/4	4

* REFERS TO PARTS THAT ARE ALSO AVAILABLE WITH BASE MATERIAL BEING STAINLESS STEEL. TO ORDER STAINLESS STEEL PARTS, USE PART NUMBERS SHOWN FOLLOWED BY ' SS'. EXAMPLE: AAA-001-01087 SS



DR	GM	TOLERANCES (UNLESS SPECIFIED OTHERWISE) FRACTIONAL ± 1/16" DEC X.X ± 0.1" DEC X.XX ± 0.06" DEC X.XXX ± 0.031" ANGULAR ± 0.5°	
DAT	11/8/2011		
MAT			

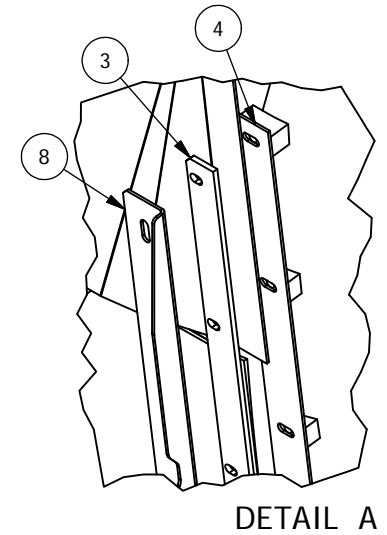
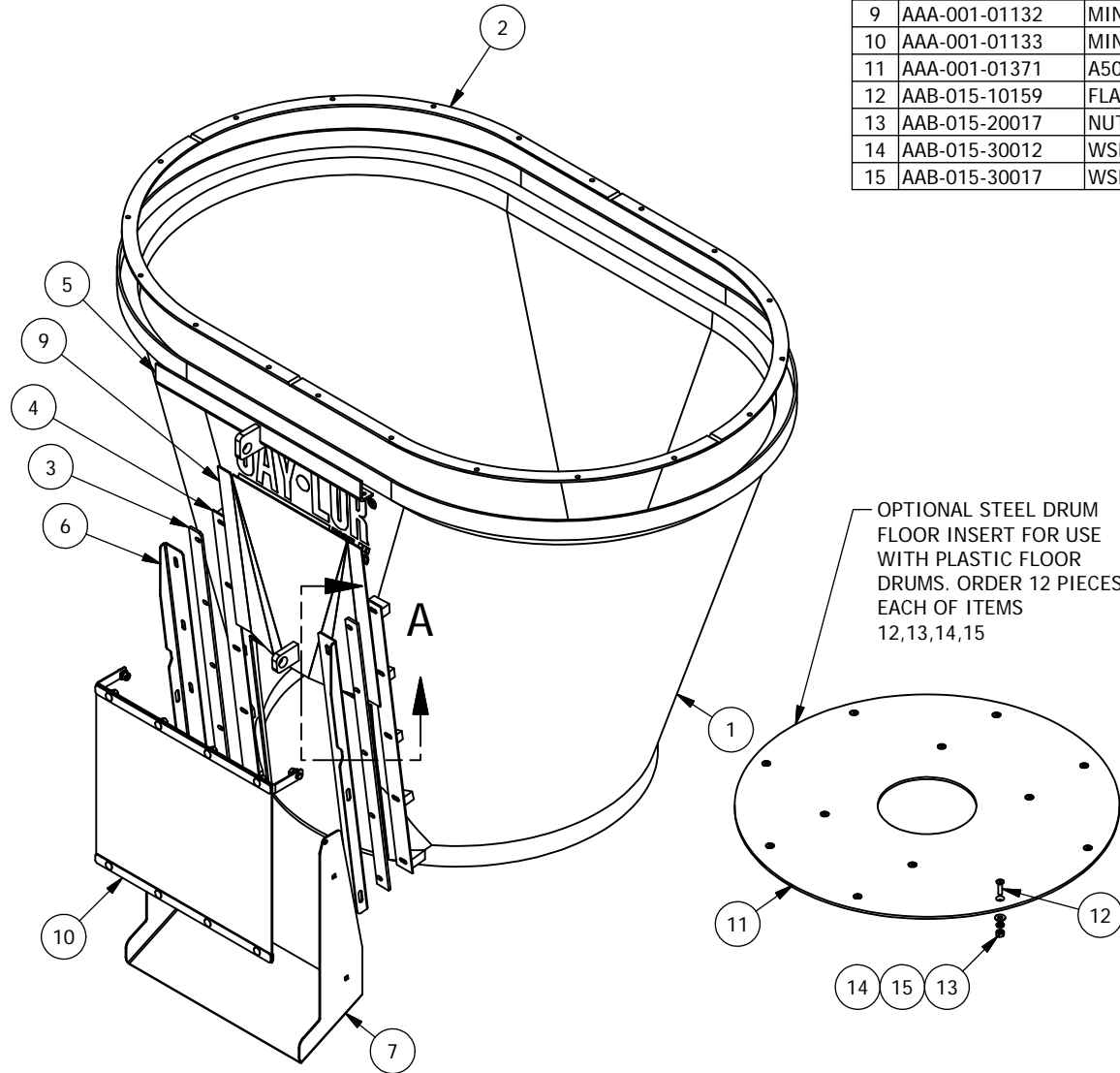
UNITS	PAPER A	SHEET 1 OF 1	R#	DATE	DESCRIPTION	DR	CK
TITLE					MINI LARGE DOOR DISCHARGE SHIELD KIT	FILE NO	AAA-001-01129.idw

CONFIDENTIAL: THESE DRAWINGS AND COPIES THEREOF REMAIN THE PROPERTY OF JAY-LOR FABRICATING INC. ANY PERSON FOUND UNLAWFULLY USING, DISTRIBUTING, OR IN POSSESSION OF THE ABOVE WILL BE PROSECUTED

NOTE: THESE DRUM PARTS SHOULD ONLY BE INSTALLED ON THE OLD STYLE SMALL DOOR DRUM WITH DOOR OPENING MEASURING 16IN. WIDE BY 19IN. HIGH. DRUM PARTS FOR THE NEW STYLE LARGE DOOR DRUM ARE ALSO SHOWN IN THIS PARTS BOOK. PLEASE CHECK DOOR SIZE BEFORE ORDERING ANY OF THESE PARTS.

Parts List

ITE	PART NUMBER	TITLE	QTY
1		MINI POLYETHYLENE SMALL DOOR DRUM 50CUFT - OBSOLETE	1
2	AAA-001-00995	A50 UPPR DRUM RING WELDMNT	1
3	AAA-001-01005	MINI DOOR SPCR 1/4T	2
4	AAA-001-01007	MINI INNER DOOR TRACK 1/8T	2
5	AAA-001-01066	MINI TM UPPR DOOR LUG WELDMNT	1
6	AAA-001-01121	MINI OUTER DOOR TRACK REAR (SMALL DOOR DRUM) 1/8T	1
7	AAA-001-01127	MINI TRAILER DISCHARGE CHUTE (SMALL DOOR DRUM) 1/8T	1
8	AAA-001-01128	MINI TM OUTER DOOR TRACK FRT (SMALL DOOR DRUM) 1/8T	1
9	AAA-001-01132	MINI TM DRUM DOOR WELDMNT (SMALL DOOR DRUM)	1
10	AAA-001-01133	MINI TRUCK MOUNTED SMALL DOOR DISCHARGE SHIELD KIT	1
11	AAA-001-01371	A50 DRUM FLR INSERT 1/4T	1
12	AAB-015-10159	FLAT SOC CAP SCREW 3/8-16 X 1-1/2L GRD 8	12
13	AAB-015-20017	NUT HEX 3/8 UNC GRD 2	12
14	AAB-015-30012	WSHR FLAT 3/8 USS	12
15	AAB-015-30017	WSHR LOCK 3/8	12

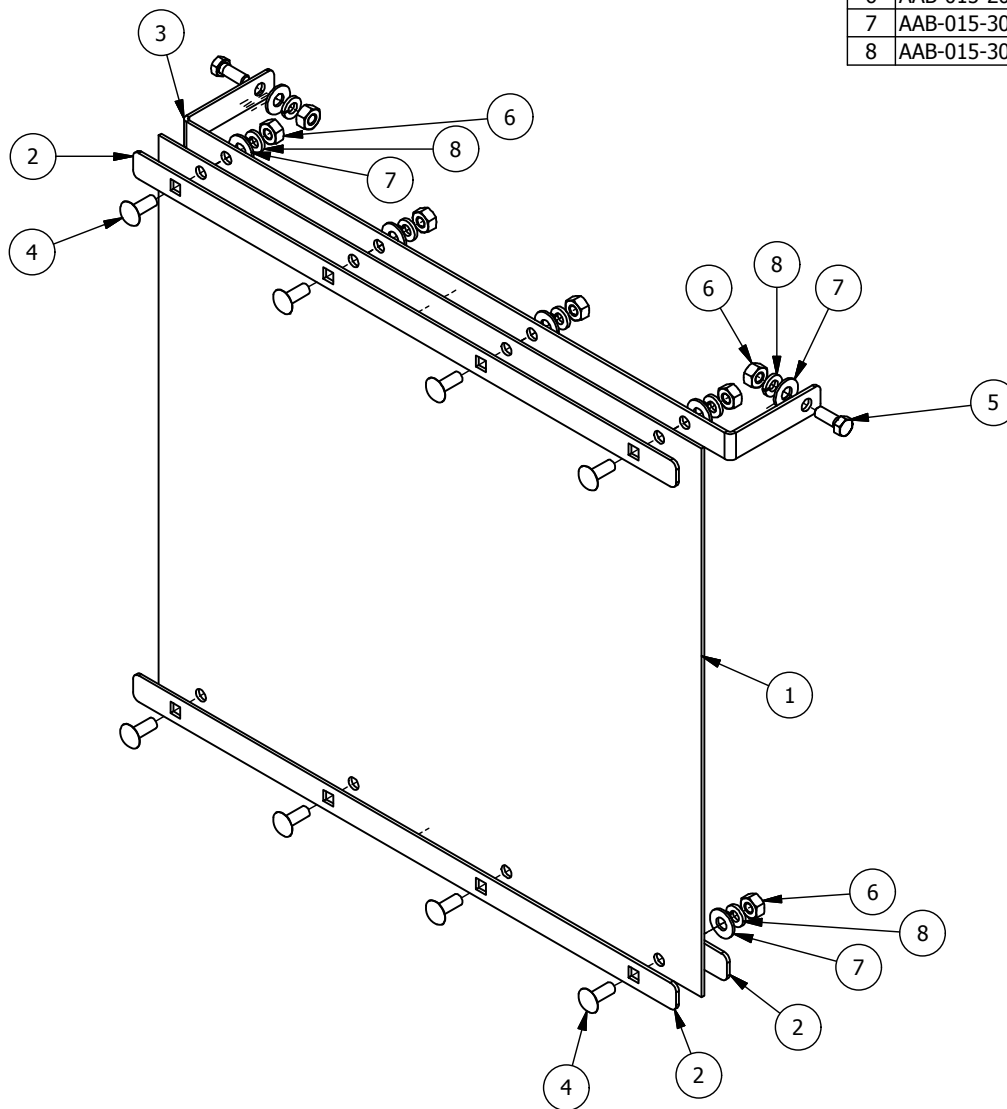


OPTIONAL STEEL DRUM FLOOR INSERT FOR USE WITH PLASTIC FLOOR DRUMS. ORDER 12 PIECES EACH OF ITEMS 12,13,14,15

UNITS	PAPER A	SHEET 1 OF 1	R#	DATE	DESCRIPTION	DR	CK	DR GM	TOLERANCES (UNLESS SPECIFIED OTHERWISE)	
TITLE	A50 TRUCK MOUNTED SMALL DOOR DRUM PARTS					FILE NO	AAA-054-00069.idw	DAT 11/14/2011 MAT	FRACTIONAL ± 1/16" DEC X.X ± 0.1" DEC X.XX ± 0.06" DEC X.XXX ± 0.031" ANGULAR ± 0.5°	
CONFIDENTIAL: THESE DRAWINGS AND COPIES THEREOF REMAIN THE PROPERTY OF JAY-LOR FABRICATING INC. ANY PERSON FOUND UNLAWFULLY USING, DISTRIBUTING, OR IN POSSESSION OF THE ABOVE WILL BE PROSECUTED										

Parts List

ITE	PART NUMBER	TITLE	QTY
1	AAA-001-01000	MINI DISCHARGE SHIELD RUBR 1/8T	1
2	AAA-001-01011	MINI DOOR DISCHARGE SHIELD BRACE 1/8T	3
3	AAA-001-01070	MINI TM DISCHARGE SHIELD BRKT 1/8T	1
4	AAB-015-10028	BOLT CARRIAGE 3/8 X 1 UNC	8
5	AAB-015-10056	BOLT HEX 3/8 X 1 UNC GRD 2	2
6	AAB-015-20017	NUT HEX 3/8 UNC GRD 2	10
7	AAB-015-30012	WSHR FLAT 3/8 USS	10
8	AAB-015-30017	WSHR LOCK 3/8	10



DR	GM	TOLERANCES (UNLESS SPECIFIED OTHERWISE) FRACTIONAL ± 1/16" DEC X.X ± 0.1" DEC X.XX ± 0.06" DEC X.XXX ± 0.031" ANGULAR ± 0.5°	
DAT	11/14/2011		
MAT			

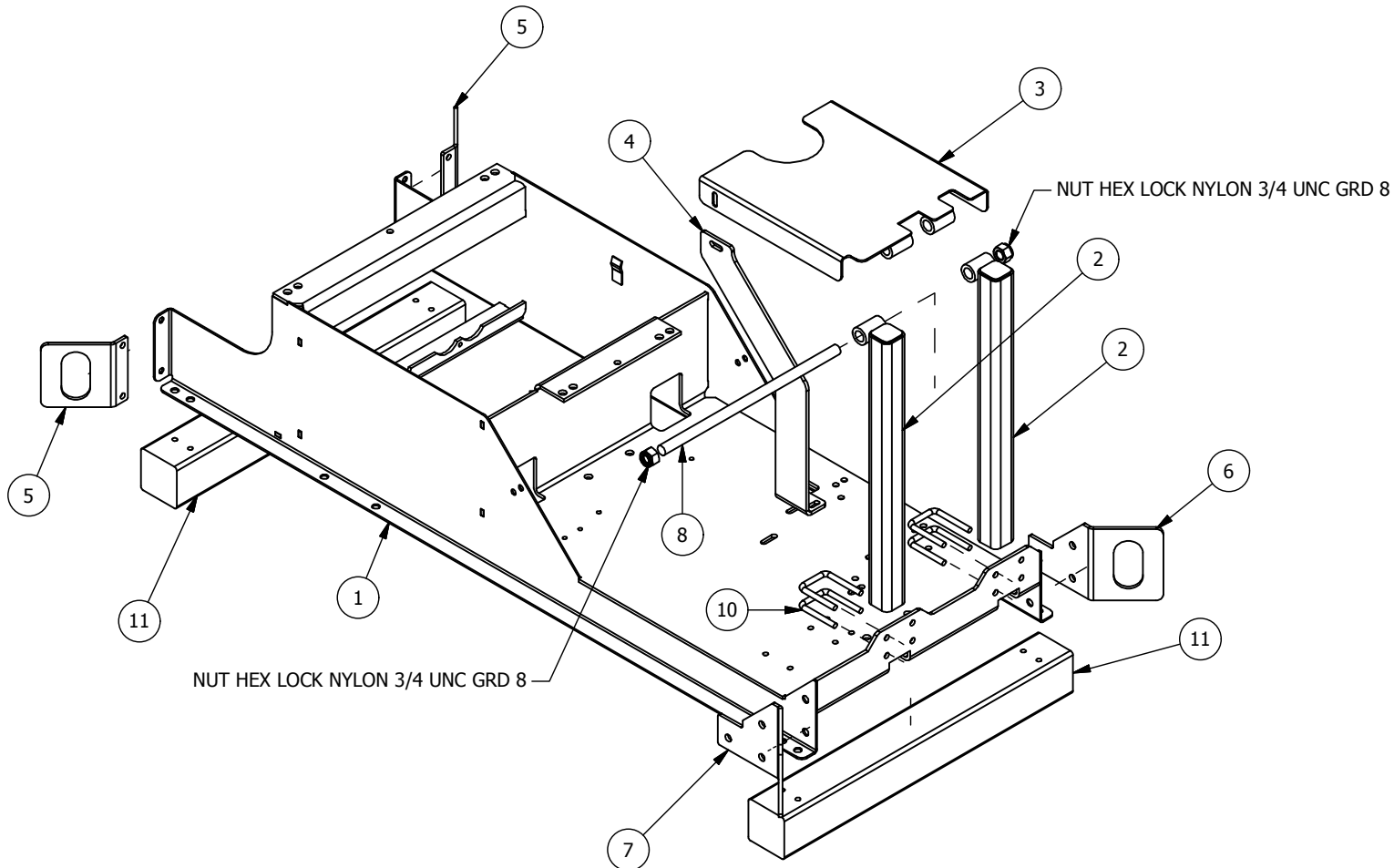
UNITS	PAPER A	SHEET 1 OF 1	R#	DATE	DESCRIPTION	DR	CK
-------	---------	--------------	----	------	-------------	----	----

TITLE MINI TRUCK MOUNTED SMALL DOOR DISCHARGE SHIELD KIT FILE NO AAA-001-01133.idw

CONFIDENTIAL: THESE DRAWINGS AND COPIES THEREOF REMAIN THE PROPERTY OF JAY-LOR FABRICATING INC. ANY PERSON FOUND UNLAWFULLY USING, DISTRIBUTING, OR IN POSSESSION OF THE ABOVE WILL BE PROSECUTED

Parts List

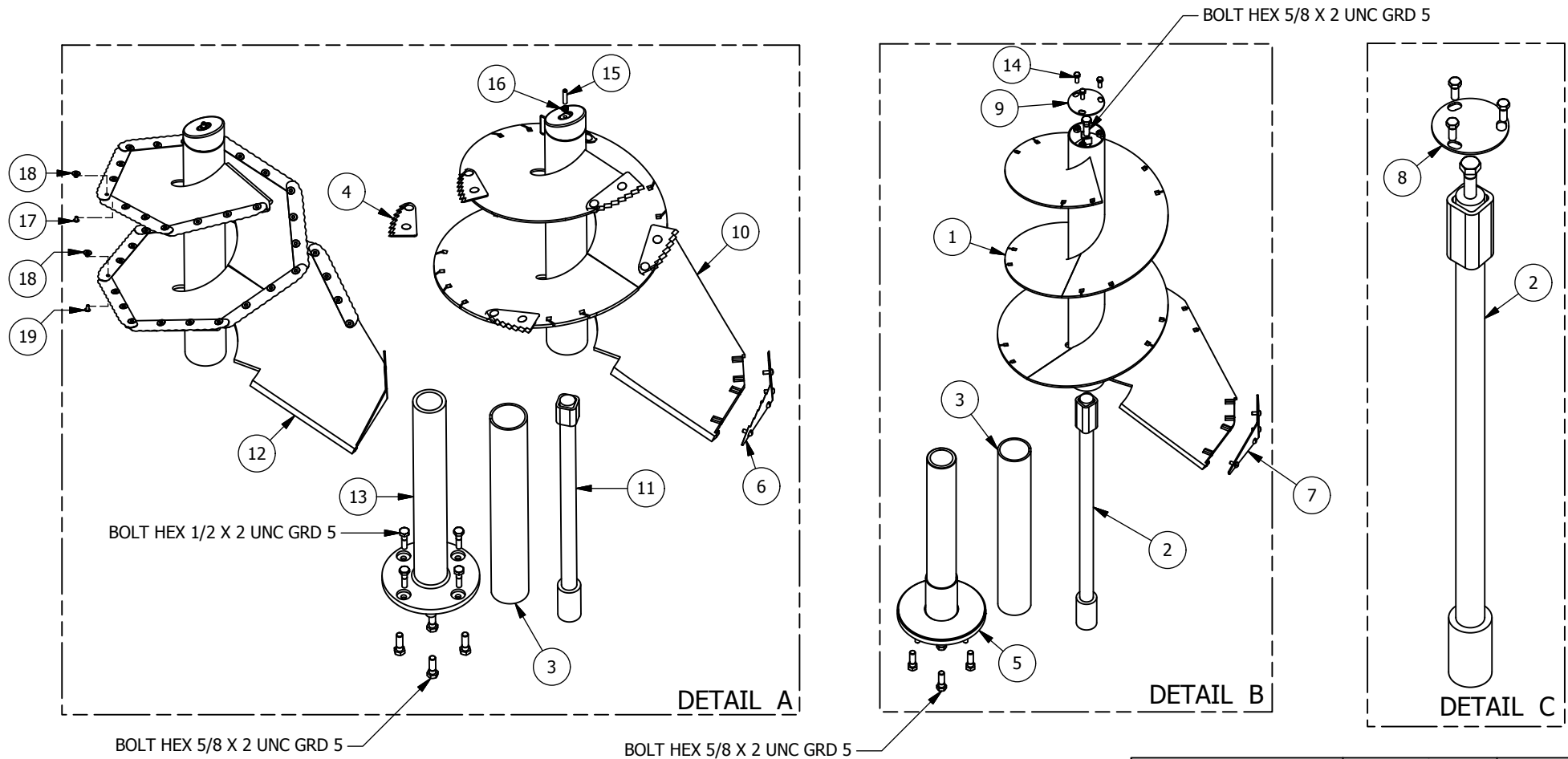
ITE	PART NUMBER	TITLE	QTY
1	AAA-002-00563	MINI A50 STATIONARY/TRAILER UNDERFRAME WELDMENT	1
2	AAA-002-00626	MINI TRAILER ENGINE COVER SUPT POST WELDMENT	2
3	AAA-002-00630	MINI TRAILER ENGINE COVER WELDMENT	1
4	AAA-002-00634	MINI TRAILER ENGINE COVER SUPT LEG 1/4T	1
5	AAA-002-00675	MINI TM REAR TIE DOWN 1/4T	2
6	AAA-002-00676	MINI TM FRT LTH TIE DOWN 1/4T	1
7	AAA-002-00677	MINI TM FRT RTH TIE DOWN 1/4T	1
8	AAA-002-00678	RND BAR 3/4DIA X 17L THREADED PARTIAL	1
10	AAB-015-10110	U-BOLT 3/8-16 UNC X 3-1/4L X 2-1/8W	4
11	AAB-017-30037_28L	BOARD SOFTWOOD TREATED 4IN X 4IN X 28IN	2



					DR GM		TOLERANCES (UNLESS SPECIFIED OTHERWISE)		JAY•LOR Fabricating Inc
					DAT 2/4/2011		FRACTIONAL ± 1/16" DEC X.X ± 0.1" DEC X.XX ± 0.06" DEC X.XXX ± 0.031" ANGULAR ± 0.5°		
					MAT				
UNITS	PAPER A	SHEET 1 OF 1	R#	DATE	DESCRIPTION	DR	CK	CONFIDENTIAL: THESE DRAWINGS AND COPIES THEREOF REMAIN THE PROPERTY OF JAY-LOR FABRICATING INC. ANY PERSON FOUND UNLAWFULLY USING, DISTRIBUTING, OR IN POSSESSION OF THE ABOVE WILL BE PROSECUTED	
TITLE A50 TRUCK MOUNTED FRAME PARTS						FILE NO AAA-054-00053.idw			

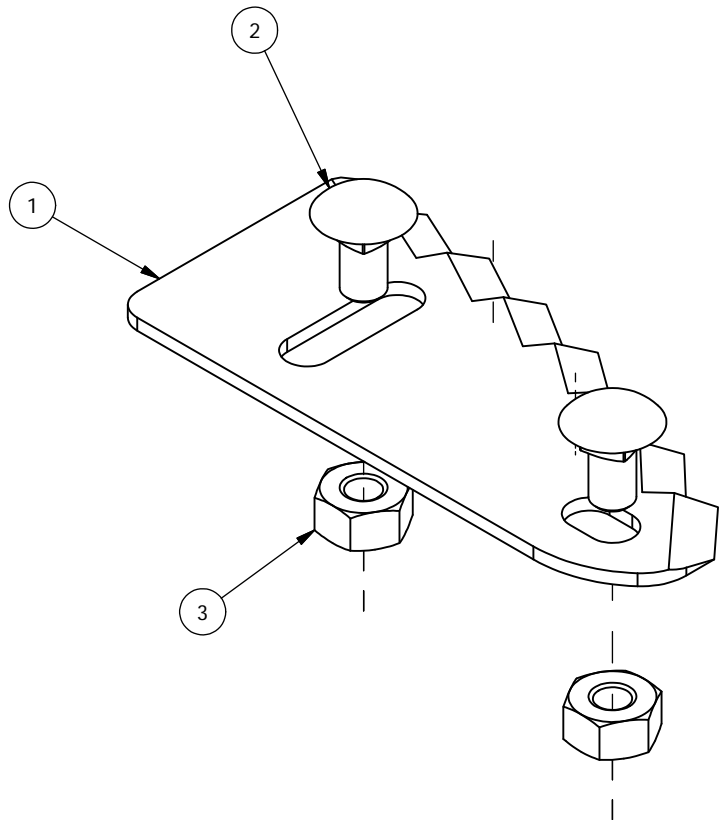
Parts List				Parts List			
ITEM	PART NUMBER	TITLE	QTY	ITEM	PART NUMBER	TITLE	QTY
1	AAA-005-00130 SS	MINI AUGER SS WELDMENT	1	11	AAA-005-00312	MINI AUGER V2 DRIVE SHAFT WELDMENT	1
2	AAA-005-00140	MINI AUGER DRIVE SHAFT WELDMENT	2	12	AAA-005-00319	MINI SQ AUGER WELDMENT	1
3	AAA-005-00143	PVC PIPE SIZE 3IN SCH 40 X 23L	2	13	AAB-005-00115	MINI CAST AUGER SUPT BEARING	1
4	AAA-005-00183	MINI FLAT KNIFE KIT	8	14	AAB-015-10056 SS	BOLT HEX SS 3/8-16 X 1 GRD 5	3
5	AAA-005-00204	MINI AUGER SUPT WELDMENT W/ SS BOTTOM COVER	1	15	AAB-015-10154	SET SCREW SS 3/8-16 X 1-3/4L GRD 8	2
6	AAA-005-00223	MINI ANGLING BLADE KNIFE KIT	1	16	AAB-015-20045	NUT HEX JAM SS 3/8-16 GRD 8	2
7	AAA-005-00252	MINI ANGLING BLADE SS KIT	1	17	AAB-015-10164	SCREW TRUSS HEAD PHILLIPS 1/4-20 X 3/8L	20
8	AAA-005-00276	MINI AUGER CAP WELDMENT	1	18	AAB-015-20050	WELD NUT ROUND BASE 1/4-20 X 5/16L BARREL	40
9	AAA-005-00277	MINI AUGER CAP SS WELDMENT	1	19	AAB-015-10177	SCREW TRUSS HEAD PHILLIPS 1/4-20 X 1/2L	20
10	AAA-005-00310	MINI AUGER V2 WELDMENT	1				

NOTE: 'DETAIL A' SHOWS THE STANDARD ROUND V2 AUGER AND OPTIONAL SQUARE AUGER ALONG WITH CORRESPONDING SHARED PARTS. 'DETAIL B' SHOWS THE STAINLESS STEEL AUGER AND CORRESPONDING PARTS. 'DETAIL C' SHOWS ORIGINAL STANDARD AUGER REPLACEMENT PARTS (USES SAME KNIVES AS V2).



UNITS	PAPER A	SHEET 1 OF 1	R#	DATE	DESCRIPTION	DR	CK	DR GM	DATE 2/2/2011	MAT	TOLERANCES (UNLESS SPECIFIED OTHERWISE) FRACTIONAL ± 1/16" DEC X.X ± 0.1" DEC X.XX ± 0.06" DEC X.XXX ± 0.031" ANGULAR ± 0.5°	JAY-LOR Fabricating Inc
TITLE MINI STANDARD/SQUARE/STAINLESS STEEL AUGER PARTS						FILE NO AAA-054-00034.idw		CONFIDENTIAL: THESE DRAWINGS AND COPIES THEREOF REMAIN THE PROPERTY OF JAY-LOR FABRICATING INC. ANY PERSON FOUND UNLAWFULLY USING, DISTRIBUTING, OR IN POSSESSION OF THE ABOVE WILL BE PROSECUTED				

Parts List			
ITE	PART NUMBER	TITLE	QTY
1	AAB-005-00034	MINI FLAT KNIFE 1/8T	1
2	AAB-015-10147	BOLT CARRIAGE 3/8-16 X 3/4 GRD 5	2
3	AAB-015-20017	NUT HEX 3/8 UNC GRD 2	2

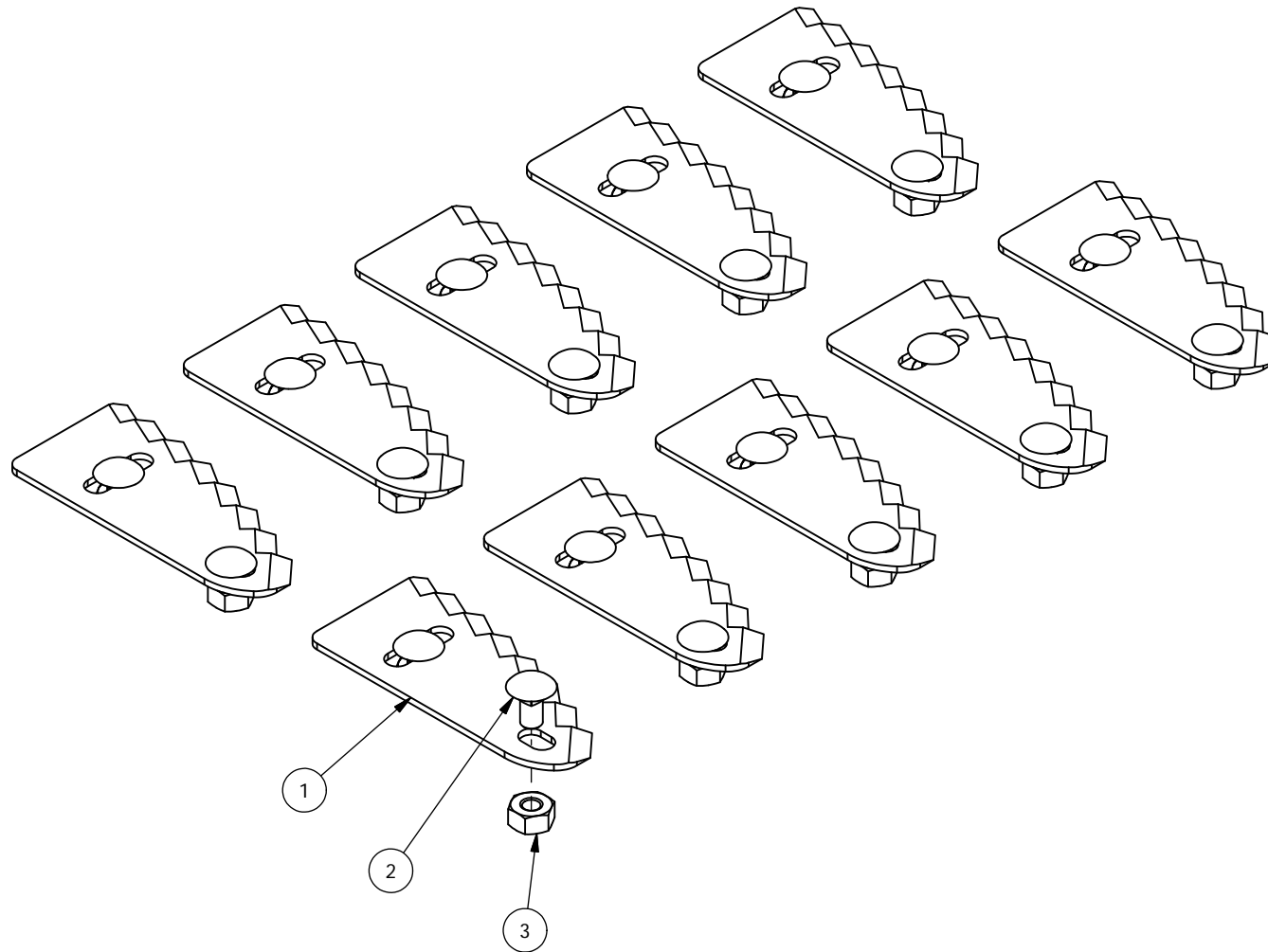


DR	GM	TOLERANCES (UNLESS SPECIFIED OTHERWISE) FRACTIONAL ± 1/16" DEC X.X ± 0.1" DEC X.XX ± 0.06" DEC X.XXX ± 0.031" ANGULAR ± 0.5°	
DAT	4/12/2011		
MAT			

UNITS	PAPER A	SHEET 1 OF 1	R#	DATE	DESCRIPTION	DR	CK
TITLE					MINI FLAT KNIFE KIT	FILE NO	
					AAA-005-00183.idw		

CONFIDENTIAL: THESE DRAWINGS AND COPIES THEREOF REMAIN THE PROPERTY OF JAY-LOR FABRICATING INC. ANY PERSON FOUND UNLAWFULLY USING, DISTRIBUTING, OR IN POSSESSION OF THE ABOVE WILL BE PROSECUTED

Parts List			
ITE	PART NUMBER	TITLE	QTY
1	AAB-005-00034	MINI FLAT KNIFE 1/8T	10
2	AAB-015-10147	BOLT CARRIAGE 3/8-16 X 3/4 GRD 5	20
3	AAB-015-20017	NUT HEX 3/8 UNC GRD 2	20

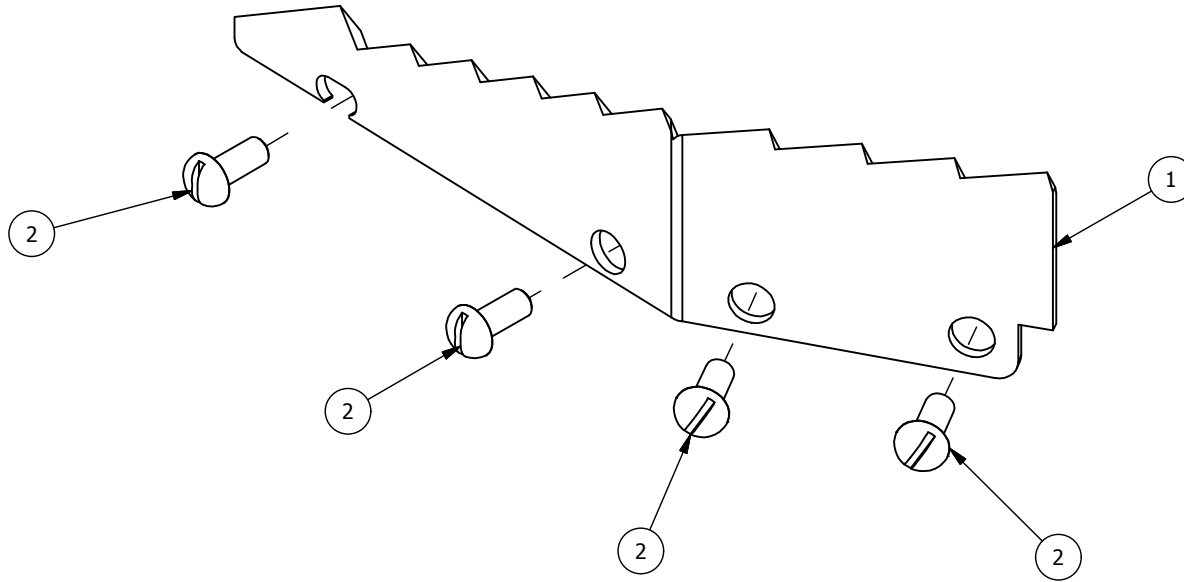


DR	GM	TOLERANCES (UNLESS SPECIFIED OTHERWISE) FRACTIONAL ± 1/16" DEC X.X ± 0.1" DEC X.XX ± 0.06" DEC X.XXX ± 0.031" ANGULAR ± 0.5°	JAY•LOR Fabricating Inc
DAT	3/5/2012		
MAT			

UNITS	PAPER A	SHEET 1 OF 1	R#	DATE	DESCRIPTION	DR	CK
TITLE MINI 10 FLAT KNIVES KIT						FILE NO AAA-005-00254.idw	

CONFIDENTIAL: THESE DRAWINGS AND COPIES THEREOF REMAIN THE PROPERTY OF JAY-LOR FABRICATING INC. ANY PERSON FOUND UNLAWFULLY USING, DISTRIBUTING, OR IN POSSESSION OF THE ABOVE WILL BE PROSECUTED

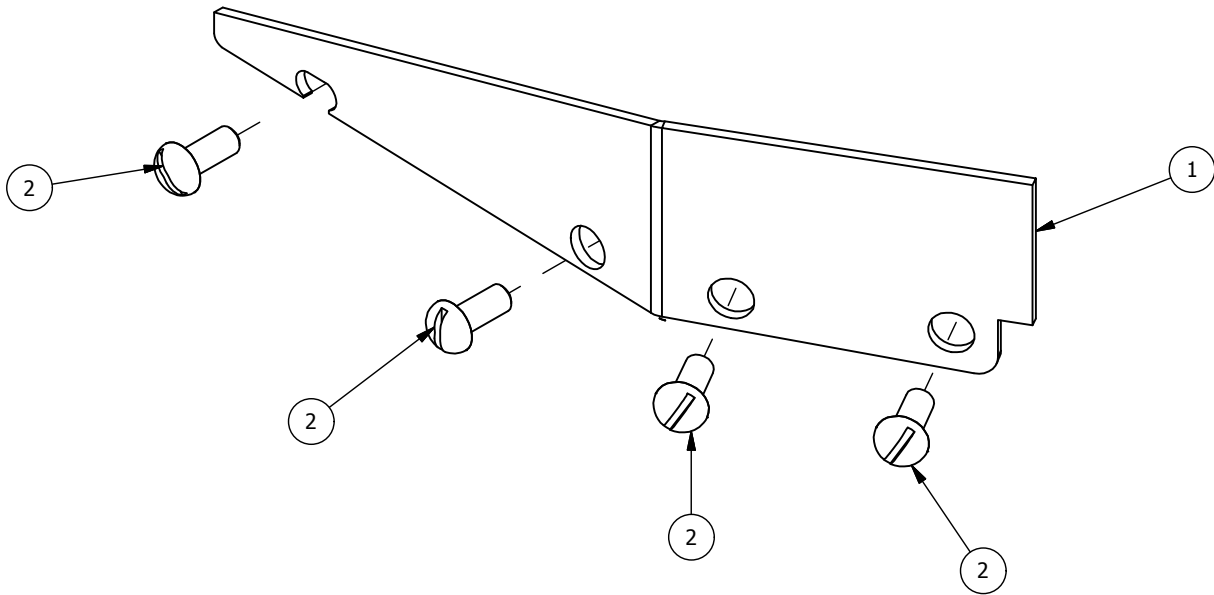
Parts List			
ITE	PART NUMBER	TITLE	QTY
1	AAB-005-00035	MINI ANGLING KNIFE 1/8T	1
2	AAB-015-10107	SCREW MACHINE 5/16-18 X 3/4 S.S.	4



DR	GM	TOLERANCES (UNLESS SPECIFIED OTHERWISE) FRACTIONAL ± 1/16" DEC X.X ± 0.1" DEC X.XX ± 0.06" DEC X.XXX ± 0.031" ANGULAR ± 0.5°	
DAT	9/2/2011		
MAT			
CONFIDENTIAL: THESE DRAWINGS AND COPIES THEREOF REMAIN THE PROPERTY OF JAY-LOR FABRICATING INC. ANY PERSON FOUND UNLAWFULLY USING, DISTRIBUTING, OR IN POSSESSION OF THE ABOVE WILL BE PROSECUTED			

UNITS	PAPER A	SHEET 1 OF 1	R#	DATE	DESCRIPTION	DR	CK
TITLE MINI ANGLING BLADE KNIFE KIT						FILE NO AAA-005-00223.idw	

Parts List			
ITE	PART NUMBER	TITLE	QTY
1	AAB-005-00119	MINI ANGLING BLADE SS 1/8T	1
2	AAB-015-10107	SCREW MACHINE 5/16-18 X 3/4 S.S.	4



UNITS	PAPER A	SHEET 1 OF 1	R#	DATE	DESCRIPTION	DR	CK
TITLE					FILE NO		
MINI ANGLING BLADE SS KIT					AAA-005-00252.idw		

DR	GM	TOLERANCES (UNLESS SPECIFIED OTHERWISE) FRACTIONAL ± 1/16" DEC X.X ± 0.1" DEC X.XX ± 0.06" DEC X.XXX ± 0.031" ANGULAR ± 0.5°	
DAT	11/9/2011		
MAT			
<small>CONFIDENTIAL: THESE DRAWINGS AND COPIES THEREOF REMAIN THE PROPERTY OF JAY-LOR FABRICATING INC. ANY PERSON FOUND UNLAWFULLY USING, DISTRIBUTING, OR IN POSSESSION OF THE ABOVE WILL BE PROSECUTED</small>			

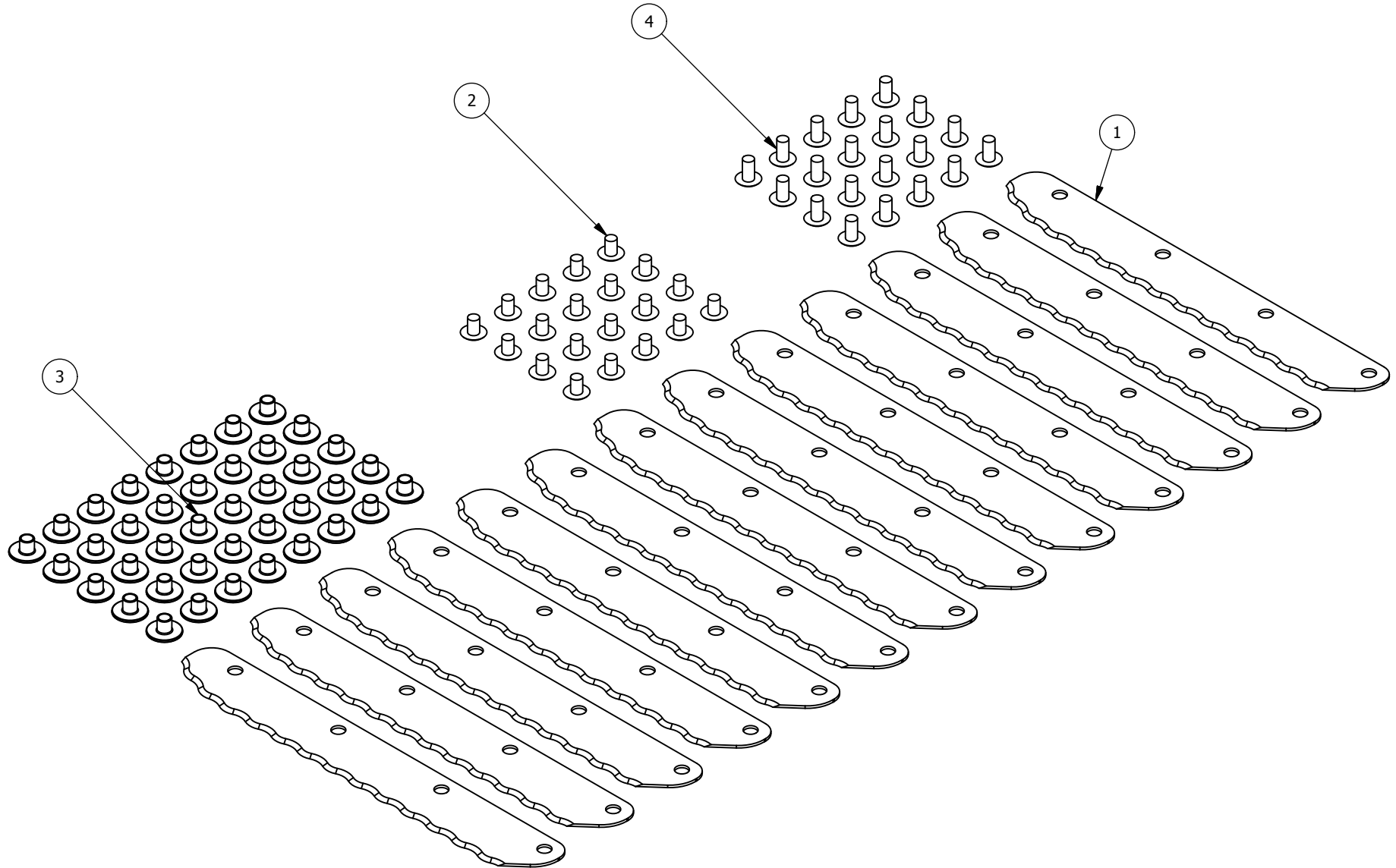
INFORMATION

-LONGER [1/2 INCH] BOLTS ARE TO BE USED ON THE LOWER, THICKER AUGER FLIGHT

-SHORTER [3/8 INCH] BOLTS ARE TO BE USED ON THE TOP, THINNER AUGER FLIGHT

-TO ORDER ALL PARTS AS 13-KNIFE KIT USE PART # AAA-005-00009

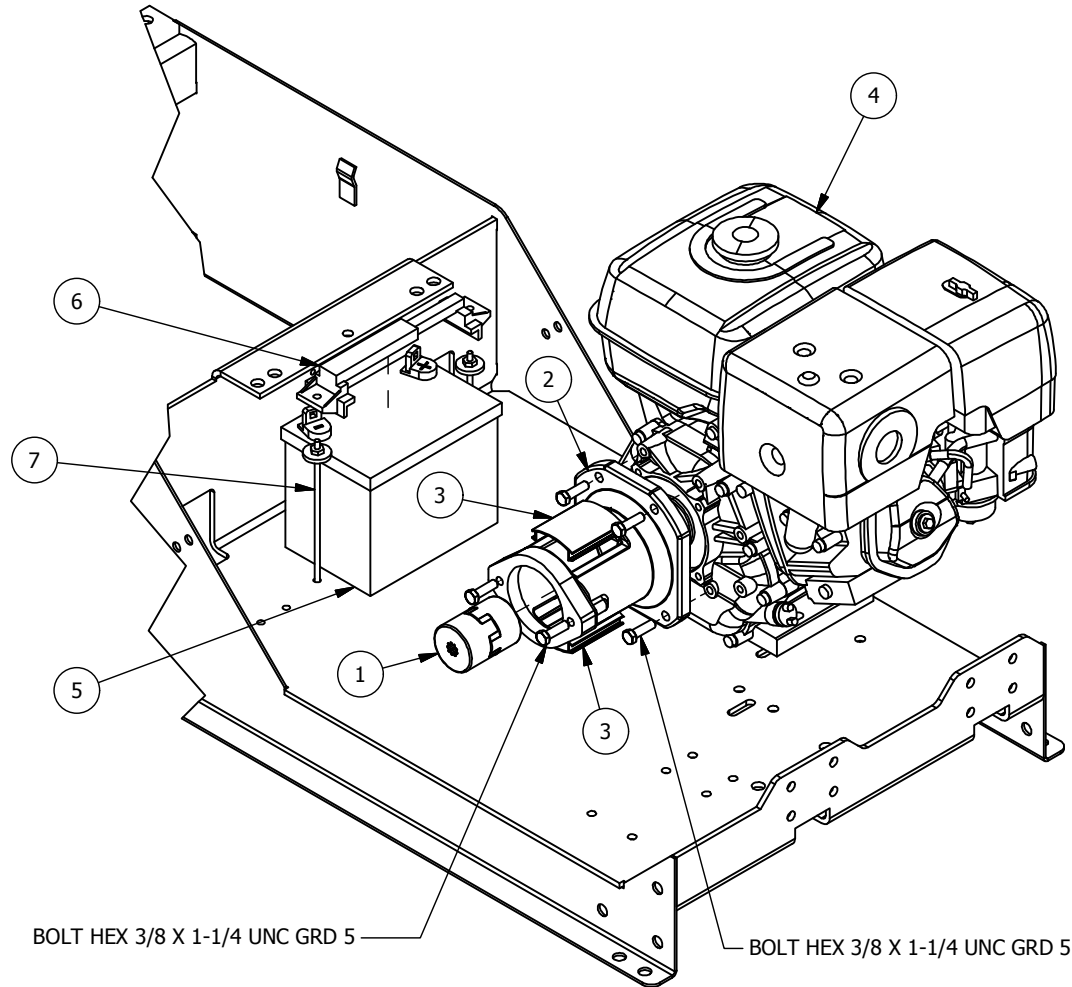
Parts List			
ITEM	PART NUMBER	TITLE	QTY
1	AAB-005-00042	WAVY BLADE 1.5W X 0.0625T X 10.5L	13
2	AAB-015-10164	SCREW TRUSS HEAD PHILLIPS 1/4-20 X 3/8L	20
3	AAB-015-20050	WELD NUT ROUND BASE 1/4-20 X 5/16L BARREL	40
4	AAB-015-10177	SCREW TRUSS HEAD PHILLIPS 1/4-20 X 1/2L	20



UNITS	PAPER A	SHEET 1 OF 1	A	9/6/2016	UPDATED HARDWARE TO CONFORM TO ECN (#16015)	RE	DR	CK	DR	G Mills	DAT	11/5/2013	MAT	TOLERANCES (UNLESS SPECIFIED OTHERWISE) FRACTIONAL ± 1/16" DEC X.X ± 0.1" DEC X.XX ± 0.06" DEC X.XXX ± 0.031" ANGULAR ± 0.5°	JAY•LOR Fabricating Inc
TITLE					MINI SQ AUGER FULL KNIFE/HARDWARE KIT					FILE NO		AAA-005-00333.idw		CONFIDENTIAL- THESE DRAWINGS AND COPIES THEREOF REMAIN THE PROPERTY OF JAY-LOR FABRICATING INC. ANY PERSON FOUND UNLAWFULLY USING, DISTRIBUTING, OR IN POSSESSION OF THE ABOVE WILL BE PROSECUTED	

Parts List

ITE	PART NUMBER	TITLE	QTY
1	AAA-007-00698	A50 ENGINE/PUMP COUPLING KIT	1
2	AAB-007-00657	MINI PUMP/MOTOR BRKT SAE A PAD	1
3	AAB-007-00717	MINI PUMP/MOTOR BRKT ACCESS COVER PLASTIC	2
4	AAB-007-00752	HONDA GX390 SINGLE CYLINDER ENGINE (GX390UQAE6)	1
5	AAB-018-00059	12V LEAD ACID BATTERY/ U1/ 340CCA/ 41RC	1
6	AAB-018-00063	MINI 12V BATTERY TIE DOWN CROSSER	1
7	AAB-018-00064	MINI 12V BATTERY TIE DOWN HARDWARE	1



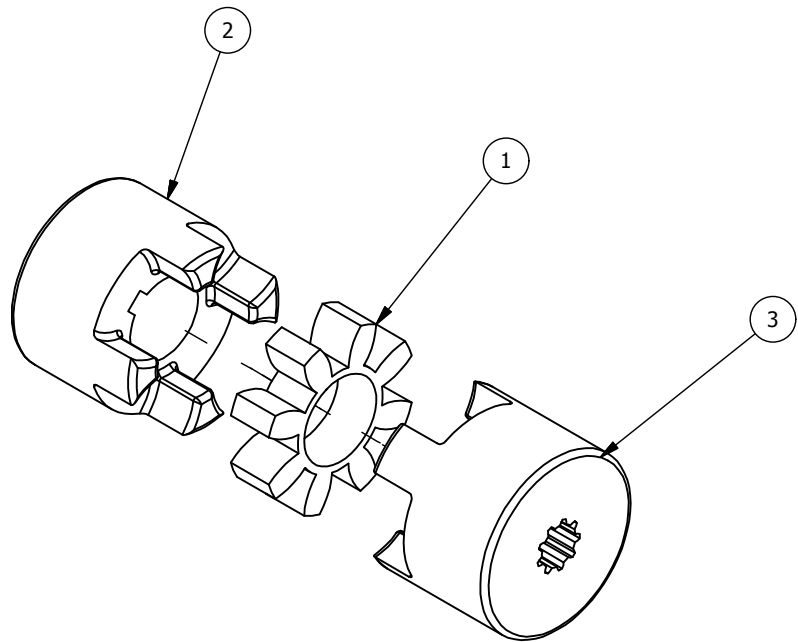
BOLT HEX 3/8 X 1-1/4 UNC GRD 5

BOLT HEX 3/8 X 1-1/4 UNC GRD 5

UNITS	PAPER A	SHEET 1 OF 1	R#	DATE	DESCRIPTION	DR	CK
TITLE					AAA-054-00045.idw		

DR	GM	TOLERANCES (UNLESS SPECIFIED OTHERWISE) FRACTIONAL ± 1/16" DEC X.X ± 0.1" DEC X.XX ± 0.06" DEC X.XXX ± 0.031" ANGULAR ± 0.5°	
DATE	2/3/2011		
MAT			
<small>CONFIDENTIAL: THESE DRAWINGS AND COPIES THEREOF REMAIN THE PROPERTY OF JAY-LOR FABRICATING INC. ANY PERSON FOUND UNLAWFULLY USING, DISTRIBUTING, OR IN POSSESSION OF THE ABOVE WILL BE PROSECUTED</small>			

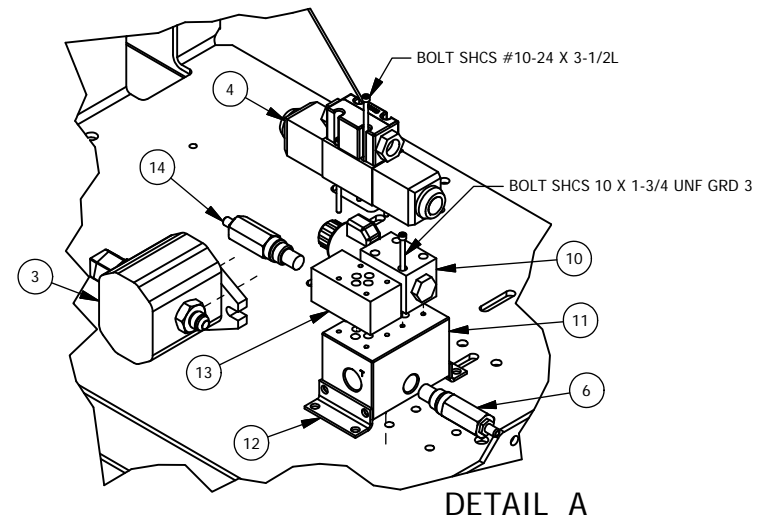
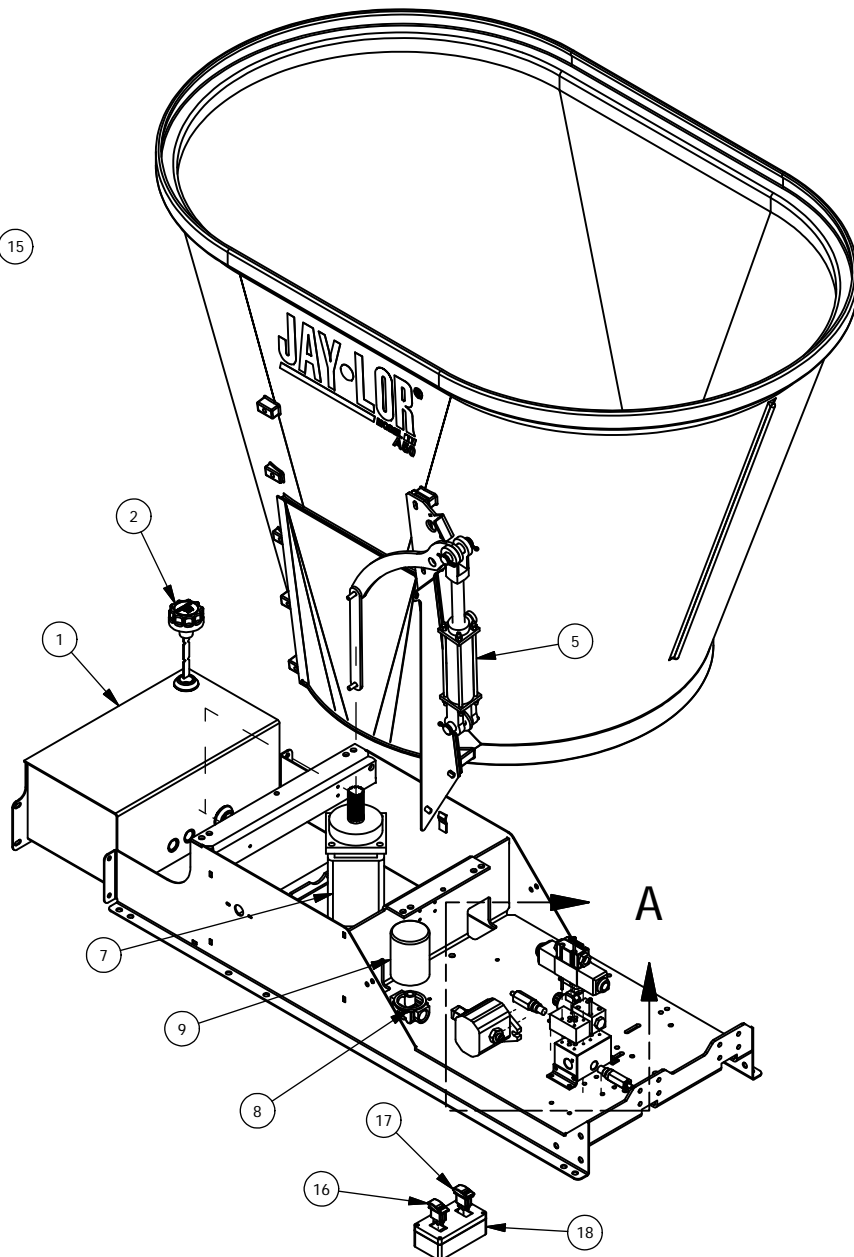
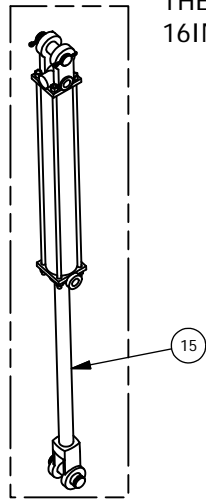
Parts List			
ITE	PART NUMBER	TITLE	QTY
1	AAB-007-00658	MINI 24/32 RED 98 DURO SPIDER	1
2	AAB-007-00659	MINI 24/32 PM B HUB/ 1IN BORE	1
3	AAB-007-00660	MINI 24/32 PM B HUB/ SAE A SPLINE	1



					DR GM		TOLERANCES (UNLESS SPECIFIED OTHERWISE)		JAY•LOR <i>Fabricating Inc</i>
					DAT 9/2/2011		FRACTIONAL ± 1/16" DEC X.X ± 0.1" DEC X.XX ± 0.06" DEC X.XXX ± 0.031" ANGULAR ± 0.5°		
					MAT				
UNITS	PAPER A	SHEET 1 OF 1	R#	DATE	DESCRIPTION	DR	CK	CONFIDENTIAL: THESE DRAWINGS AND COPIES THEREOF REMAIN THE PROPERTY OF JAY-LOR FABRICATING INC. ANY PERSON FOUND UNLAWFULLY USING, DISTRIBUTING, OR IN POSSESSION OF THE ABOVE WILL BE PROSECUTED	
TITLE A50 / A100 ENGINE / PUMP COUPLING KIT						FILE NO AAA-007-00698.idw			

DETAIL A

NOTE: 'DETAIL A' SHOWS THE HYDRAULIC CYLINDER USED ON THE OLD STYLE SMALL DOOR WITH DOOR OPENING MEASURING 16IN. WIDE BY 19IN. HIGH.



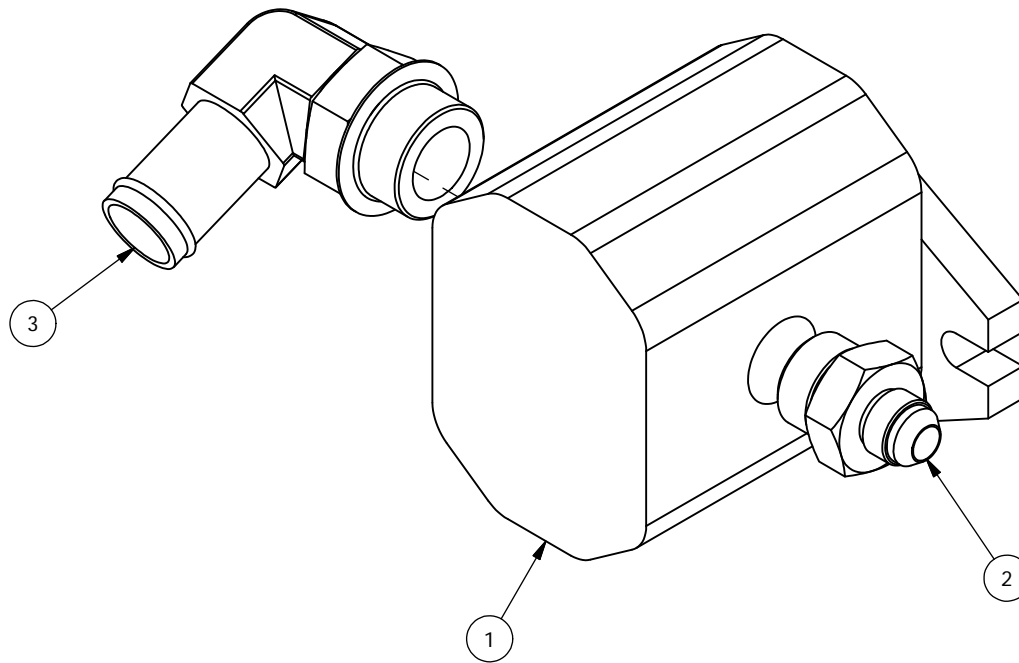
Parts List			
ITEM	PART NUMBER	TITLE	QTY
1	AAA-009-00181	A50 HYD OIL TANK WELDMENT	1
2	AAA-009-00190	MINI BREATHER CAP AND DIPSTICK WELDMENT	1
3	AAA-009-00422	A50 TRAILER/STATIONARY/TM GEAR PUMP/FITTINGS KIT	1
4	AAB-009-00122	VALVE LINEAR MOTION	1
5	AAB-009-00230	HYD CYDR 6IN STROKE X 2IN BORE	1
6	AAB-009-00384	VALVE PILOT RELIEF	1
7	AAB-009-00417	MINI 500CC HYD AUGER MOTOR	1
8	AAB-009-00420	MINI SP15/25 FILTER HEAD 3/4IN ORB 25PSI BYPASS	1
9	AAB-009-00421	MINI FILTER ELEMENT/ 10 MICRON/ 2-1/2 MEDIA/ 150PSI	1
10	AAB-009-00488	VALVE D03 DIRECTIONAL SOLENOID 12VDC 2 POSITION TANDEM CENTER	1
11	AAB-009-00489	MANIFOLD BLOCK D03 2 STATIONS SERIES	1
12	AAB-009-00490	MANIFOLD BLOCK MOUNT BRKT KIT	1
13	AAB-009-00491	VALVE SANDWICH D03 FOR RELIEF	1
14	AAB-009-00492	VALVE PILOT RELIEF 50-300 PSI ADJUSTABLE	1
15	AAB-009-00493	CYDR HYD 18L ASSY WITH PINS AND CLIPS	1
16	AAB-018-00076	SEALED SPST ROCKER ON-NONE-OFF	1
17	AAB-018-00077	SEALED DPDT ROCKER (ON)-OFF-(ON)	1
18	AAB-018-00079	SEALED CONTROL BOX 6L X 4W X 3T	1

UNITS	PAPER A	SHEET 1 OF 1	R#	DATE	DESCRIPTION	DR	CK	DR	GM	TOLERANCES (UNLESS SPECIFIED OTHERWISE)			
TITLE	A50 TRUCK MOUNTED HYDRAULIC/CONTROL COMPONENTS					FILE NO	AAA-054-00070.idw		DAT	11/14/2011		FRACTIONAL ± 1/16"	
								MAT		DEC X.X ± 0.1"		DEC X.XX ± 0.06"	DEC X.XXX ± 0.031"

CONFIDENTIAL: THESE DRAWINGS AND COPIES THEREOF REMAIN THE PROPERTY OF JAY-LOR FABRICATING INC. ANY PERSON FOUND UNLAWFULLY USING, DISTRIBUTING, OR IN POSSESSION OF THE ABOVE WILL BE PROSECUTED

Parts List

ITE	PART NUMBER	TITLE	QTY
1	AAB-009-00418	MINI 8CC HYD GEAR PUMP SAE A FLANGE/ 16 MORB IN/ 12 MORB OUT	1
2	AAB-009-00433	FIT ADPT 12 MORB X 8 MJIC	1
3	AAB-009-00440	FIT 90DEG 16 MORB X 16 BARB	1



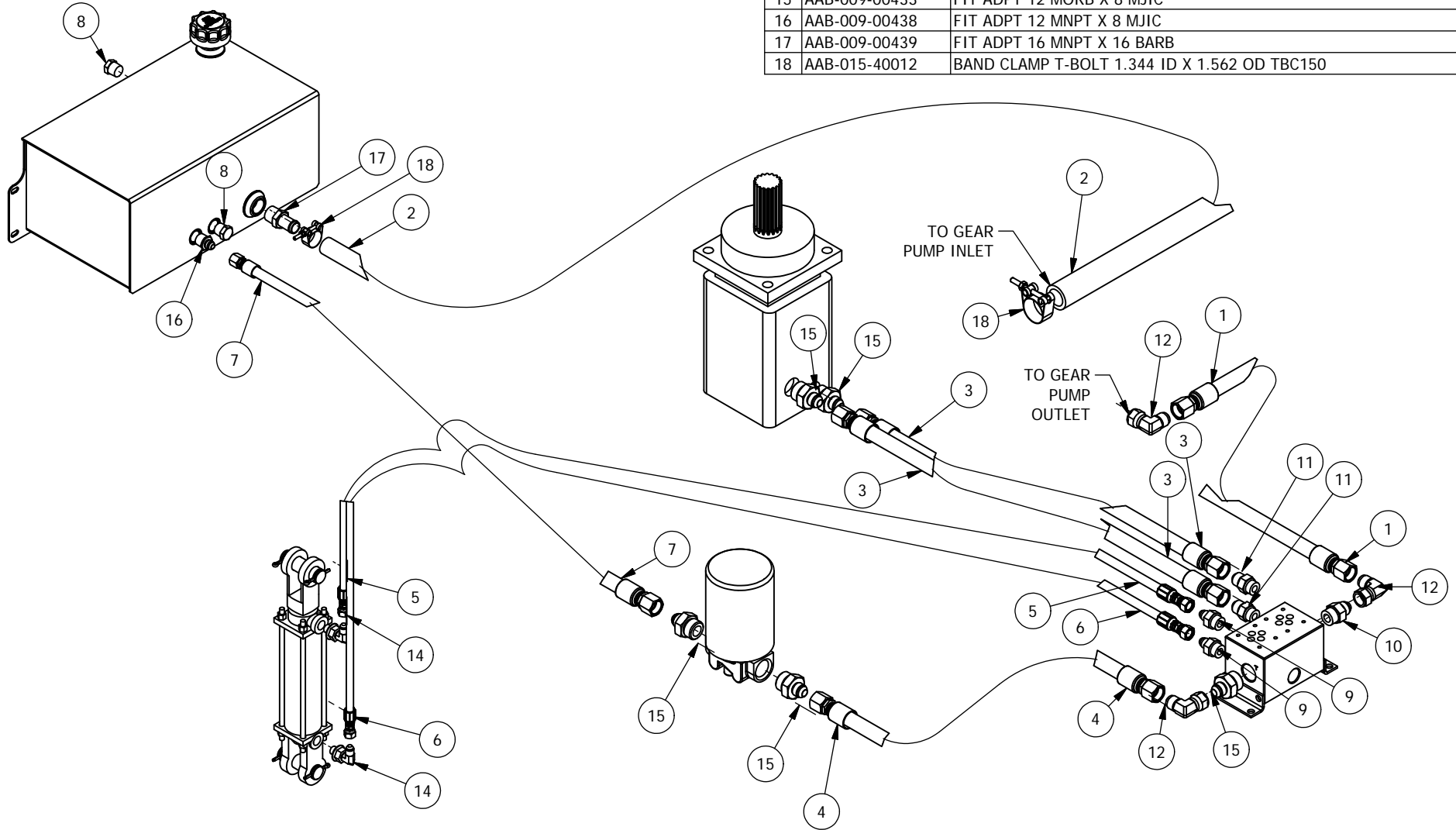
DR	G Mills	TOLERANCES (UNLESS SPECIFIED OTHERWISE) FRACTIONAL ± 1/16" DEC X.X ± 0.1" DEC X.XX ± 0.06" DEC X.XXX ± 0.031" ANGULAR ± 0.5°	JAY-LOR Fabricating Inc
DAT	1/4/2013		
MAT			

UNITS	PAPER A	SHEET 1 OF 1	R#	DATE	DESCRIPTION	DR	CK
-------	---------	--------------	----	------	-------------	----	----

TITLE A50 TRAILER/STATIONARY/TM GEAR PUMP/FITTINGS KIT FILE NO AAA-009-00422.idw

CONFIDENTIAL: THESE DRAWINGS AND COPIES THEREOF REMAIN THE PROPERTY OF JAY-LOR FABRICATING INC. ANY PERSON FOUND UNLAWFULLY USING, DISTRIBUTING, OR IN POSSESSION OF THE ABOVE WILL BE PROSECUTED

Parts List				Parts List			
ITE	PART NUMBER	TITLE	QTY	ITE	PART NUMBER	TITLE	QTY
1	AAA-009-00203	HOSE HYD 1/2DIA SINGLE BRAID 8 FJIC X 8 FJIC 15L 3000PSI	1	6	AAA-009-00247	HOSE HYD 1/4DIA SINGLE BRAID 6 FJIC X 6 FJIC 38L 3000PSI	1
2	AAA-009-00208	HOSE HYD 1DIA 1-WIRE 44L	1	7	AAA-009-00397	HOSE HYD 1/2DIA SINGLE BRAID 8 FJIC X 8 FJIC 19L 3000PSI	2
3	AAA-009-00210	HOSE HYD 1/2DIA SINGLE BRAID 8 FJIC X 8 FJIC 38L 3000PSI	2	8	AAB-008-00057	PLUG DRAIN 3/4	2
4	AAA-009-00245	HOSE HYD 1/2DIA SINGLE BRAID 8 FJIC X 8 FJIC 16L 3000PSI	1	9	AAB-009-00074	FIT ADPT 6 MJIC X 8 MORB	2
5	AAA-009-00246	HOSE HYD 1/4DIA SINGLE BRAID 6 FJIC X 6 FJIC 48L 3000PSI	1	10	AAB-009-00080	FIT ADPT 8 MJIC X 10 MORB	1
				11	AAB-009-00087	FIT ADPT 8 MJIC X 8 MORB	2
				12	AAB-009-00088	FIT 90DEG 8 MJIC X 8 FJIC SWIVEL	3
				13	AAB-009-00230	HYD CYDR 6IN STROKE X 2IN BORE	1
				14	AAB-009-00252	FIT 90DEG 6 MORB ADJ X 6 MJIC	2
				15	AAB-009-00433	FIT ADPT 12 MORB X 8 MJIC	5
				16	AAB-009-00438	FIT ADPT 12 MNPT X 8 MJIC	1
				17	AAB-009-00439	FIT ADPT 16 MNPT X 16 BARB	1
				18	AAB-015-40012	BAND CLAMP T-BOLT 1.344 ID X 1.562 OD TBC150	2



DR	GM	TOLERANCES (UNLESS SPECIFIED OTHERWISE) FRACTIONAL ± 1/16" DEC X.X ± 0.1" DEC X.XX ± 0.06" DEC X.XXX ± 0.031" ANGULAR ± 0.5°	JAY-LOR Fabricating Inc
DAT	11/14/2011		
MAT			

UNITS	PAPER A	SHEET 1 OF 1	R#	DATE	DESCRIPTION	DR	CK
TITLE					A50 TRUCK MOUNTED HOSES/FITTINGS FOR MAIN CIRCUIT	FILE NO	AAA-054-00071.idw

CONFIDENTIAL: THESE DRAWINGS AND COPIES THEREOF REMAIN THE PROPERTY OF JAY-LOR FABRICATING INC. ANY PERSON FOUND UNLAWFULLY USING, DISTRIBUTING, OR IN POSSESSION OF THE ABOVE WILL BE PROSECUTED.

Parts List

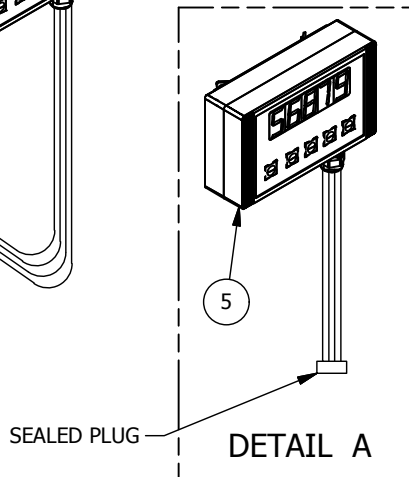
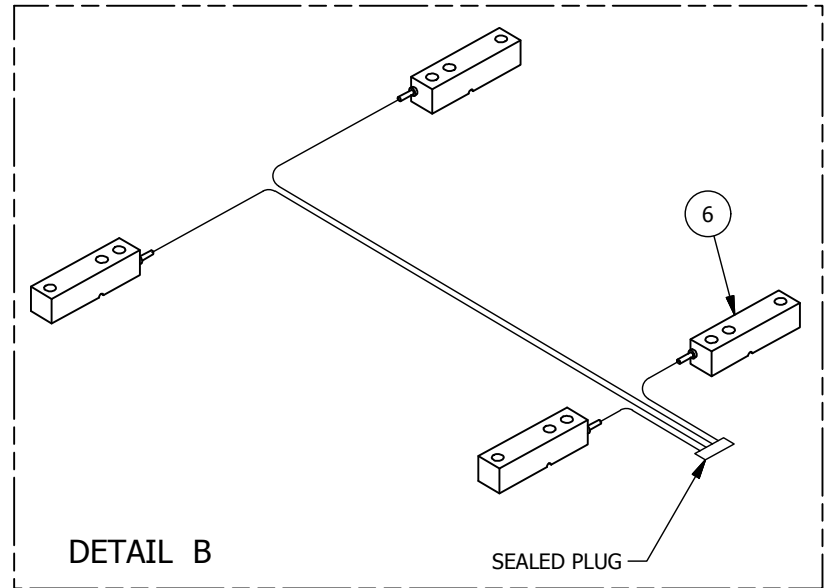
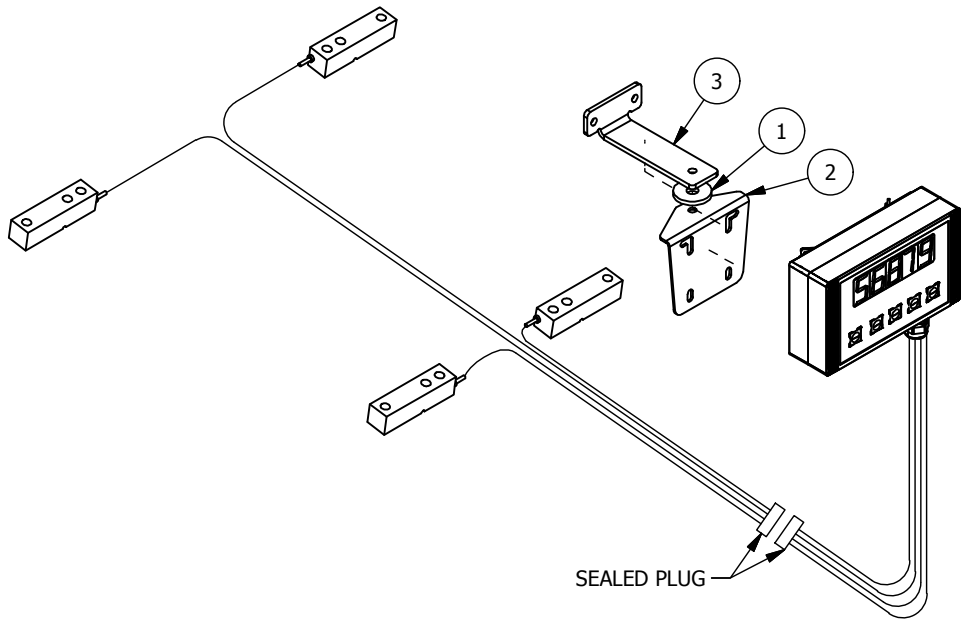
ITE	PART NUMBER	TITLE	QTY
1	AAA-000-00059	WSHR URETHANE 2DIA	1
2	AAA-010-00060	MINI SCALEHEAD BRKT 1/8T	1
3	AAA-010-00061	MINI SCALEHEAD ARM 1/4T	1
5	AAB-010-00289	MINI WEIGHING INDICATOR W/ PLUG	1
6	AAB-010-00290	MINI WEIGHING FOUR BAR KIT	1

NOTE: AS SHOWN, WEIGHING KITS CAN BE ORDERED IN THE FOLLOWING WAYS:

4) AAB-010-00261: INCLUDES INDICATOR, INDICATOR CABLE, FOUR WEIGH BARS, WEIGH BAR CABLES, AND CONNECTION PLUG

5) AAB-010-00289: INCLUDES INDICATOR, INDICATOR CABLE, AND ONE SIDE OF CONNECTION PLUG

6) AAB-010-00290: INCLUDES FOUR WEIGH BARS, WEIGH BAR CABLES, AND ONE SIDE OF CONNECTION PLUG

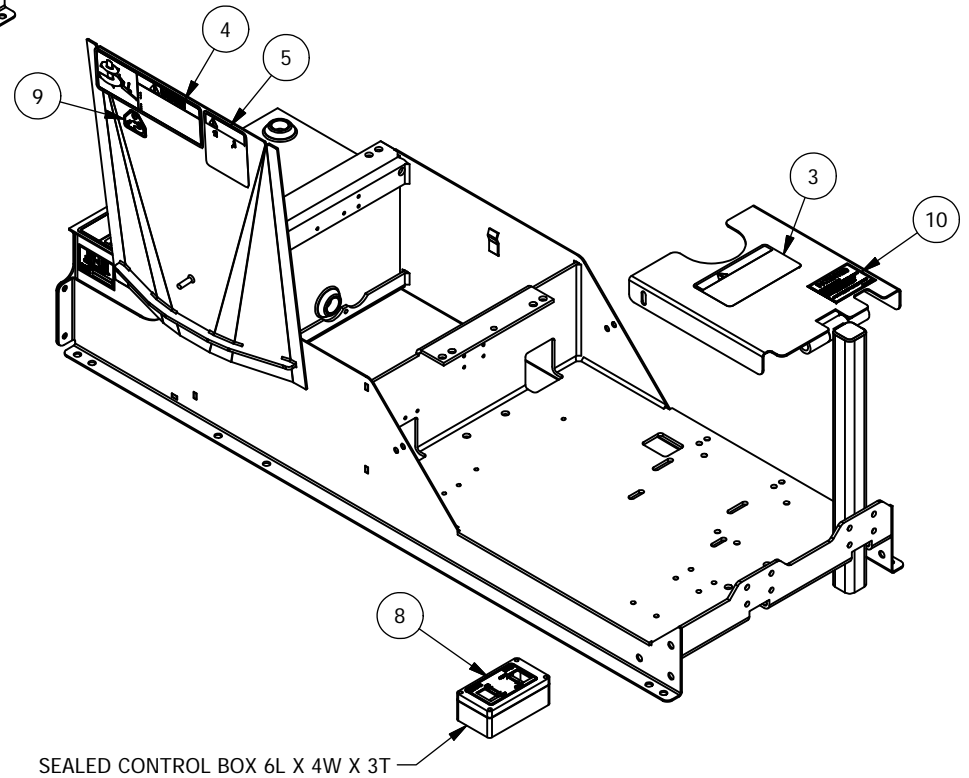
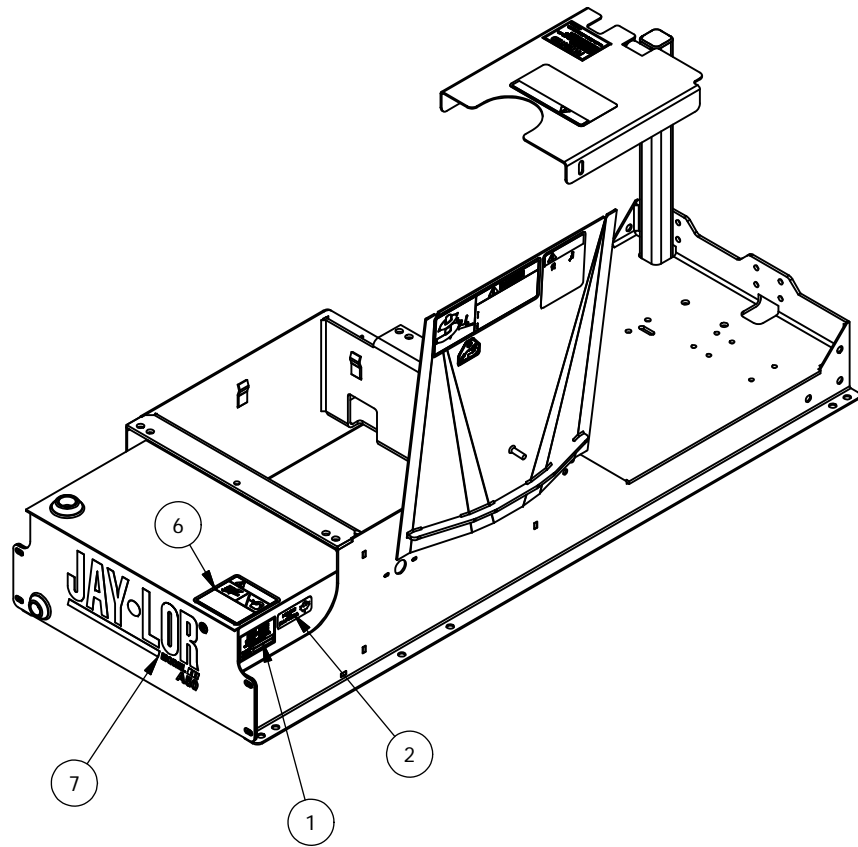


UNITS	PAPER A	SHEET 1 OF 1	R#	DATE	DESCRIPTION	DR	CK
TITLE					FILE NO		
MINI WEIGHING SYSTEM COMPONENTS					AAA-054-00040.idw		

DR	GM	TOLERANCES (UNLESS SPECIFIED OTHERWISE) FRACTIONAL ± 1/16" DEC X.X ± 0.1" DEC X.XX ± 0.06" DEC X.XXX ± 0.031" ANGULAR ± 0.5°	JAY•LOR Fabricating Inc
DAT	2/3/2011		
MAT			
CONFIDENTIAL: THESE DRAWINGS AND COPIES THEREOF REMAIN THE PROPERTY OF JAY-LOR FABRICATING INC. ANY PERSON FOUND UNLAWFULLY USING, DISTRIBUTING, OR IN POSSESSION OF THE ABOVE WILL BE PROSECUTED			

Parts List

ITE	PART NUMBER	TITLE	QTY
1	AAB-012-00020	DECAL JAYLOR MODEL AND SERIAL NUMBER	1
2	AAB-012-00022	DECAL MADE IN CANADA	1
3	AAB-012-00028	DECAL WARNING	1
4	AAB-012-00029	DECAL DANGER ROTATING AUGER HAZARD	1
5	AAB-012-00030	DECAL WARNING PINCH POINT HAZARD	1
6	AAB-012-00036	DECAL WARNING HIGH PRESSURE FLUID HAZZARD	1
7	AAB-012-00075	DECAL A50 WHITE AND BLACK	1
8	AAB-012-00099	DECAL MINI TM AUGER ON/OFF AND DOOR UP/DOWN	1
9	AAB-012-00103	DECAL IMPORTANT GREASE AUGER	1
10	AAB-012-00107	DECAL MINIMIXER PATENTS	1



SEALED CONTROL BOX 6L X 4W X 3T

UNITS					PAPER A	SHEET 1 OF 1	R#	DATE	DESCRIPTION	DR	CK	DR GM	TOLERANCES (UNLESS SPECIFIED OTHERWISE)		
TITLE					AAA-054-00072.idw			CONFIDENTIAL: THESE DRAWINGS AND COPIES THEREOF REMAIN THE PROPERTY OF JAY-LOR FABRICATING INC. ANY PERSON FOUND UNLAWFULLY USING, DISTRIBUTING, OR IN POSSESSION OF THE ABOVE WILL BE PROSECUTED							
A50 TRUCK MOUNTED DECALS										DAT 11/14/2011 MAT FRACTIONAL ± 1/16" DEC X.X ± 0.1" DEC X.XX ± 0.06" DEC X.XXX ± 0.031" ANGULAR ± 0.5°					